

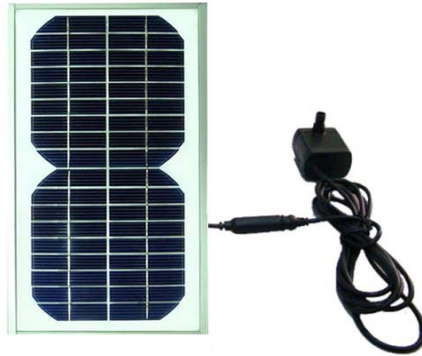
POWERTECH

ZM9202

Included in the package

1×Solar Panel

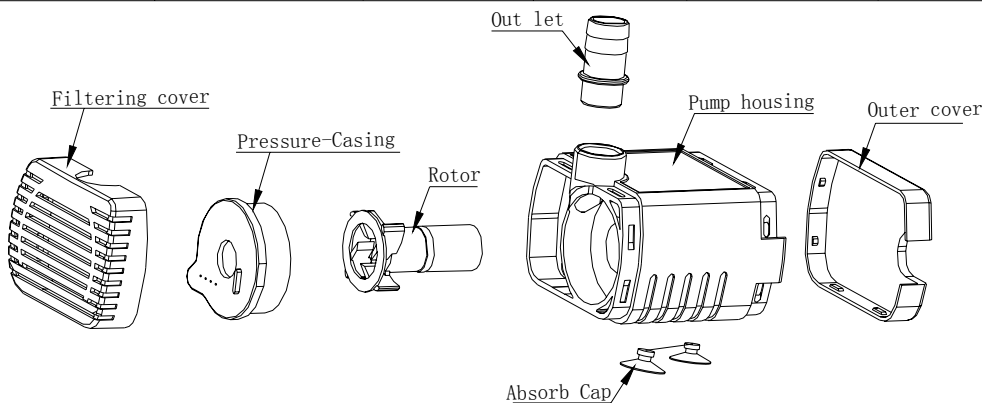
1×Submersible Water Pump



Basic Set up

5. Connect the Solar Panel to Submersible Water Pump
6. Place the Water Pump inside of the water.
7. Place the Solar Panel in the sun
8. That' s it! You could see the water pumping from you solar system.
Water Sould be pumping when solar panel is directly in the sun.

MODEL	Operating voltage	Current	WATT	Delivery head	Delivery	SIZE
ZM9202	12V	0.2A	2.4W	0-1.6m	200L/h	45×39×33



TROUBESHOOTING

If the pump fails to run, the following should be checked

- Remove the pump front cover & plate to access the impeller area. Turn the rotor to ensure it is not broken or jammed.

With little flow rate , the pump will spew or "burp"

- Check the water level to make sure the pump is completely submerged.

To reduce risk of electric shock

- Use with clean water only. Do not place it in other liquid. Never let the pump run dry.
- Do not lift ,carry , or pull the pump by the power cord.
- Do not replace the pump cord. Stop using the pump if it sustains damage.

TO clean the pump

Unplug the pump from electrical outlet. Use a small soft brush or place it under water stream to remove debris .

To keep water clean

Periodically change water to prevent water from becoming sticky and forming microorganisms .