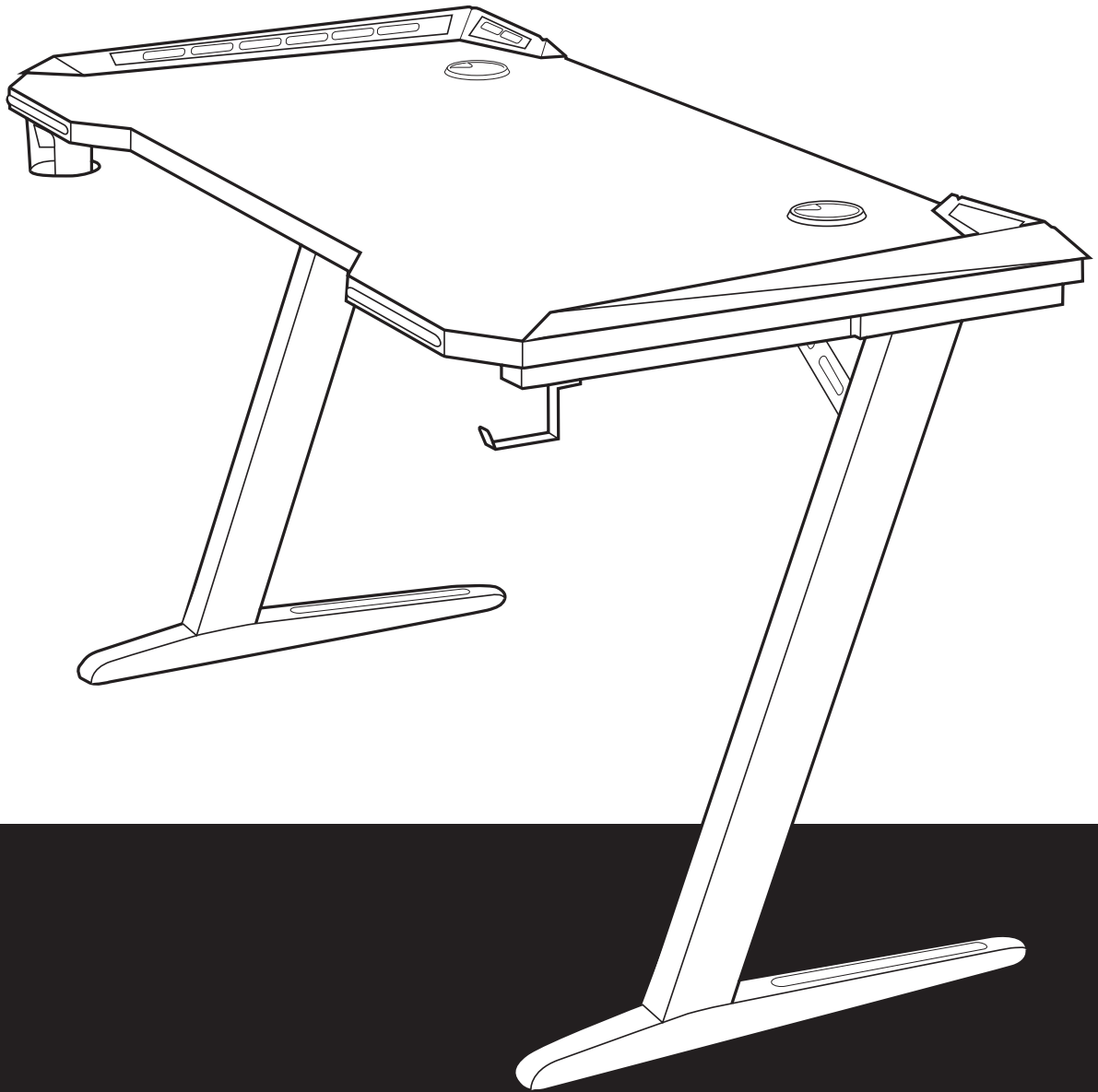
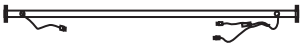

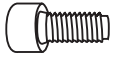





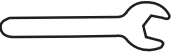






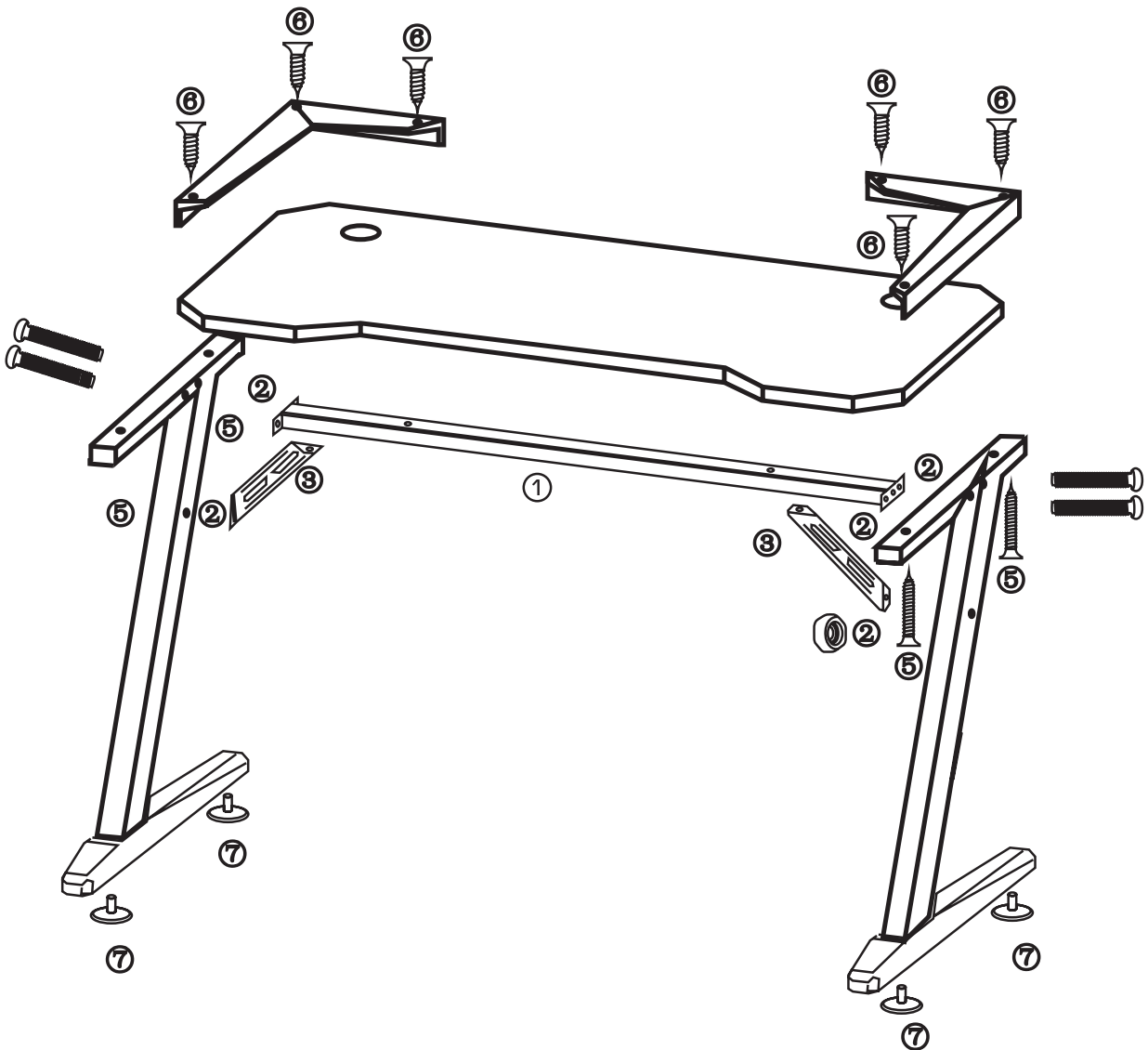
GAMING DESK WITH RGB LEDS



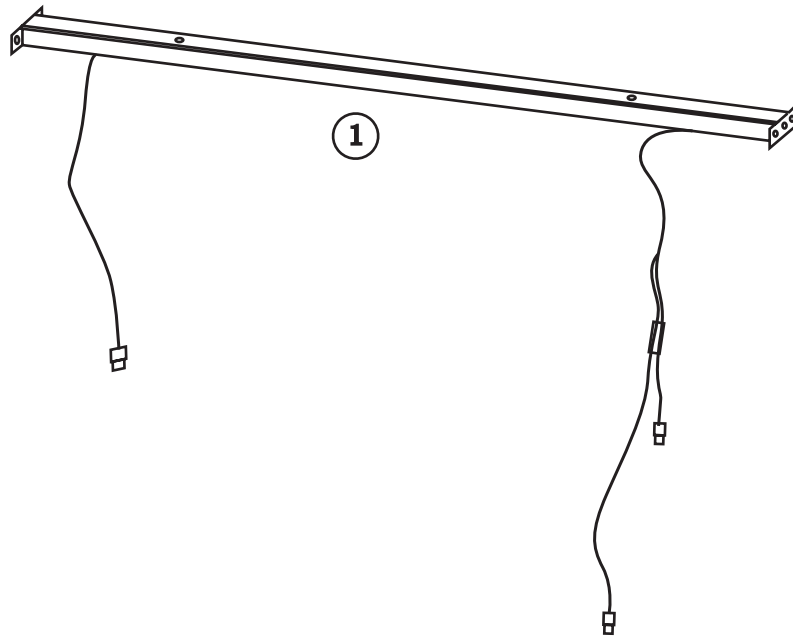
ASSEMBLY INSTRUCTIONS

Gaming Desk Parts List

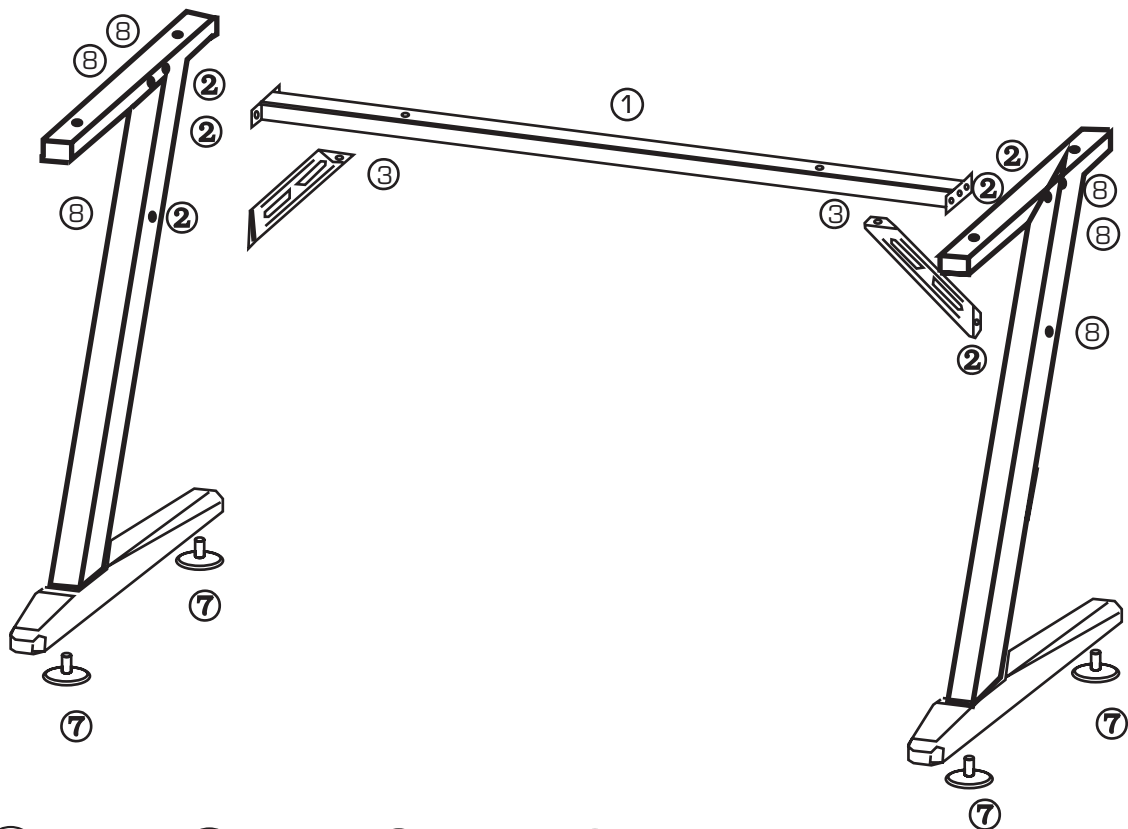
<p>①</p> 	<p>②</p>  X6 Bolt 8mm	<p>③</p>  X2 Screw 8*20mm	<p>④</p>  X2 Screw 6*20mm	
<p>⑤</p>  X4 Screw pin M4 *40mm	<p>⑥</p>  X6 Screw pin M4 *16mm	<p>⑦</p>  X4 Foot pad 40*30	<p>⑧</p>  X6 Screw 8*50mm	
				



Step 1

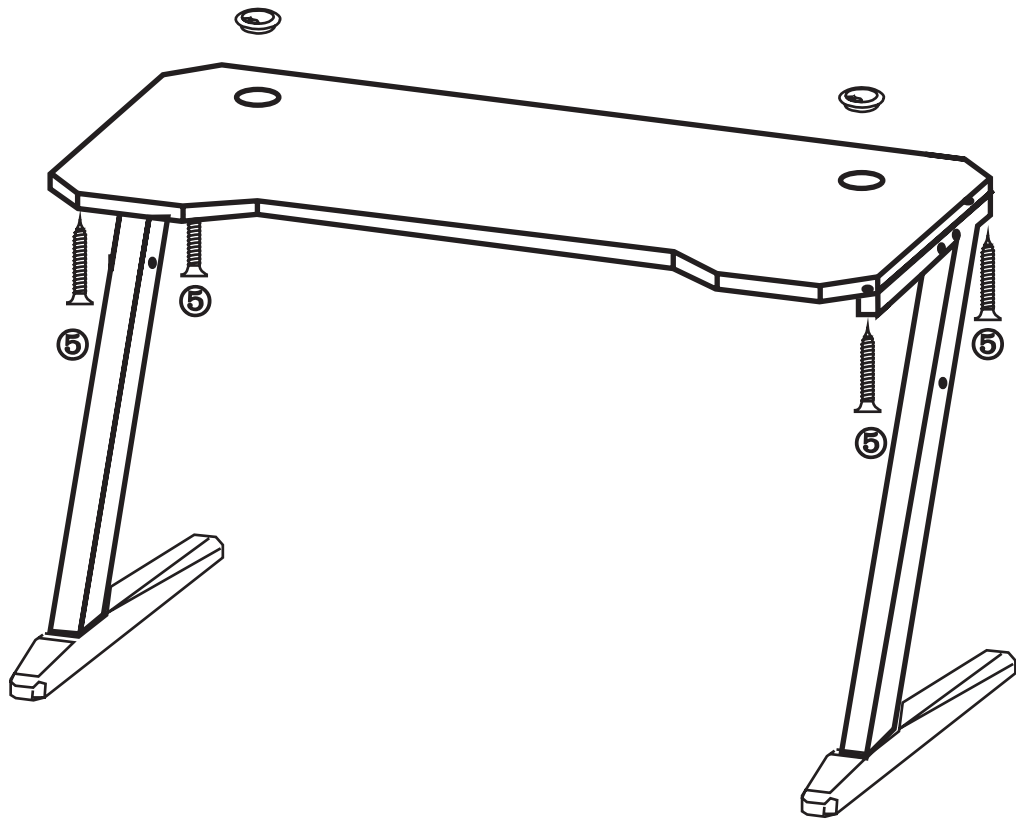


Step 2



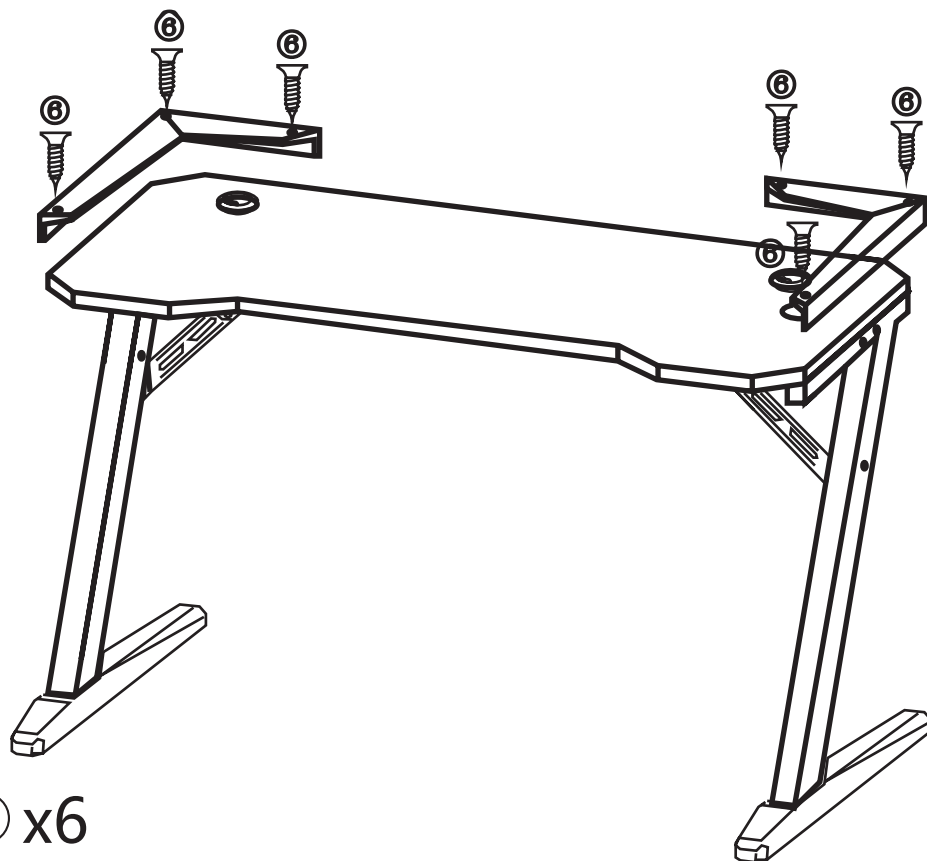
② x6 ③ x2 ⑦ x4 ⑧ x6

Step 3



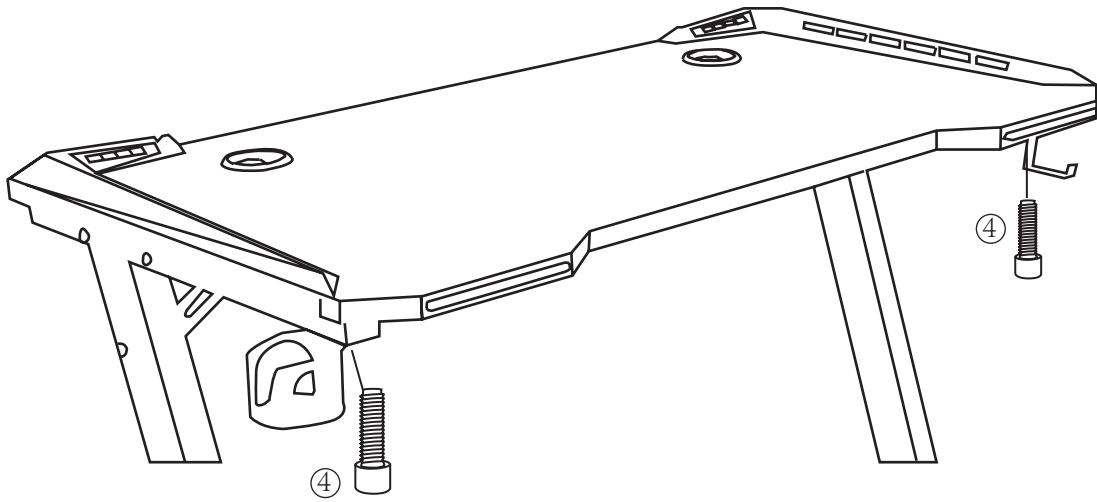
⑤ x4

Step 4



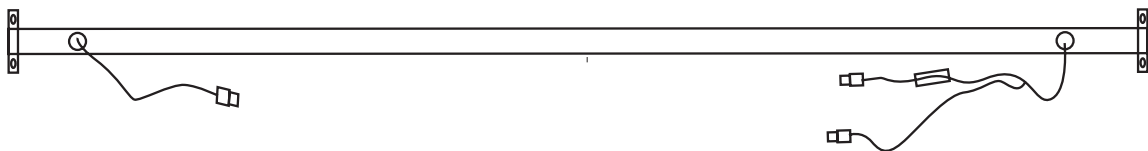
⑥ x6

Step 5

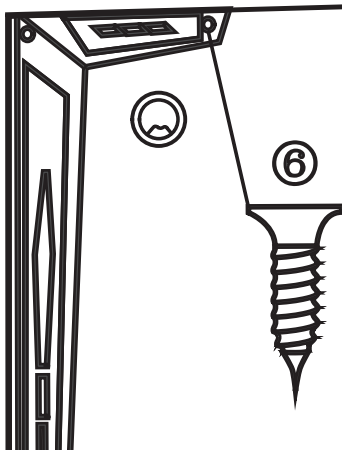


④ x2

LED Assembly Steps



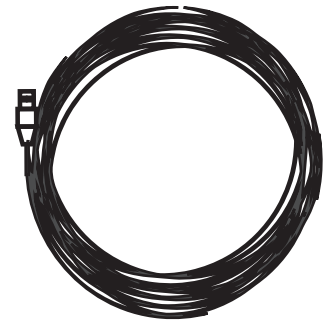
1. Insert connector wire through the hole to hide, in order to avoiding the wires jumbled outside .



2.Lock the shells onto Gaming Desk top



3. The shells onto Gaming Desk top
Stick wire clip tto the desk bottom
and put wire into clip,



4. Complete

Distributed by:
Electus Distribution Pty. Ltd.
320 Victoria Rd, Rydalmere
NSW 2116 Australia

www.electusdistribution.com.au

Made in China