

4 Use mini USB cable to connect the docking with PC.



5 Press iPad or iPod® switch button for data sync.

- Latest version of iTunes software needs to be installed in PC for data sync.
- iPad or iPod back light turns off in data sync state.
- In data sync state, the docking switches to charging state automatically if PC is turned off or USB cable is disconnected. iPad or iPod® back lights illuminates.



6 Enjoy video in iPad and iPhone.®

- Hold iPad® without removing iPad case or cover.
- iPad® connector angle adjustable.



Warning

Failure to read and follow these safety instructions could result in fire, explosion, electrical shock or other hazard, causing serious and/or fatal injury and/or property damage.

1. Do not modify, disassemble, open drop, crush, puncture or shred the product.
2. Do not expose the product to rain or water.
3. Keep away from open flame or sunlight to prevent heat build-up.
4. Keep away from high voltage devices.
5. This product is not a toy. Keep away from children. Insure that all persons who use this product read and follow these warnings and instructions.

Made for iPod iPhone iPad

"Made for iPod," "Made for iPhone," and "Made for iPad" mean that an electronic accessory has been designed to connect specifically to iPod, iPhone, or iPad, respectively, and has been certificated by the developer to meet Apple performance standards. Apple is not responsible for the operation of this device or its compliance with safety and regulatory standards. Please note that the use of this accessory with iPod, iPhone, or iPad may affect wireless performance.

iPad, iPhone, iPod, iPod nano, iPod touch and iPod classic are trademarks of Apple Inc., registered in the U.S. and other countries.



Docking Station and Dual Charger

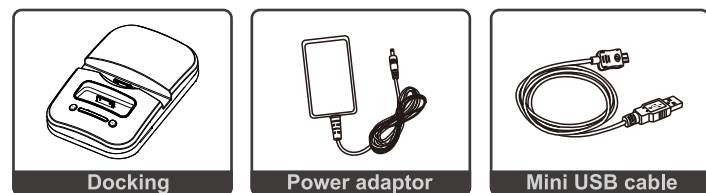
for iPod®/iPhone®/iPad®



iPad®/iPhone® not included

User Manual

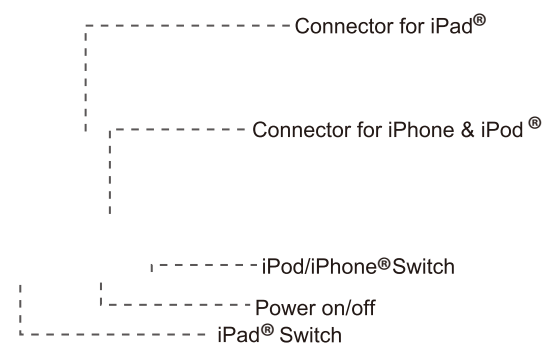
Contents



Specification

- Dimension: 170*110*30mm(L*W*H)
- Weight: 332g
- Compatibility: iPad, iPhone & iPod®
- Power adaptor input: 9V/2A
- Charge iPad: 5V/2.1A
- Charge iPhone & iPod: 5V/1A

Component description



Instruction

1 Use power adaptor to connect the docking with power source.



2 Press the power button to turn on the docking.

- All back lights illuminate in working state.



3 Plug iPad/iPhone/iPod® into the respective connectors for charge.

- iPad/iPhone/iPod® is in charging state.

