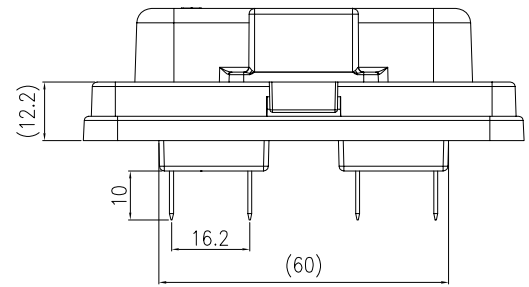
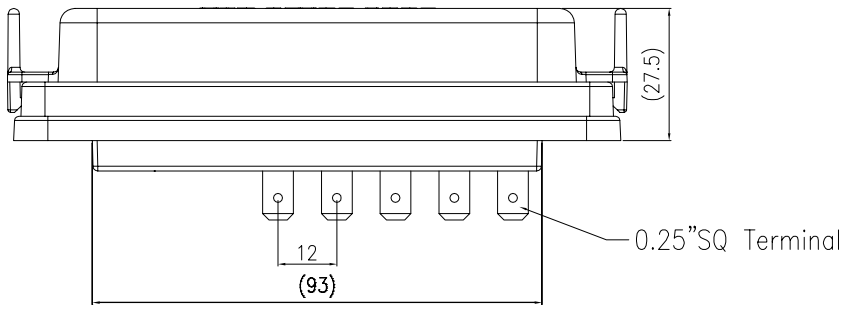
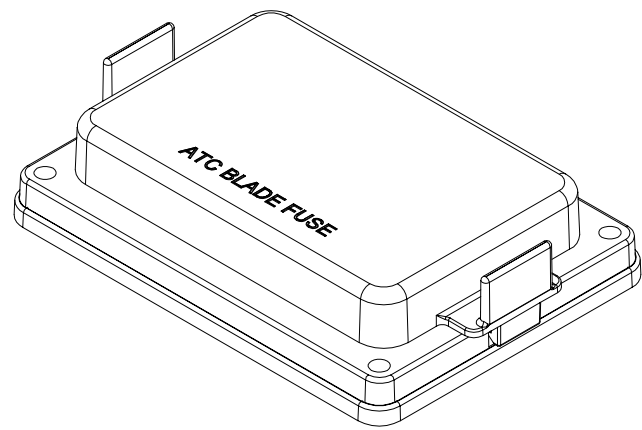
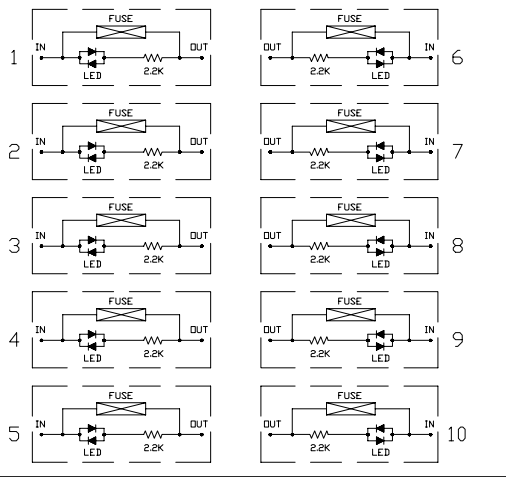


Voltage (Max.)	32 VDC.
Input Terminal Rating	0.25 Terminal
Output Terminal Rating	25A max. load per circuit.
Connection Pad Option Available	Input wire size : #10-16 AWG.
	Output wire size : #10-16 AWG.
Fuse Specifications	For ATC Blade Fuses Used Only
Mounting Torque Rating	8 in-lb (0.9Nm) max.
Environmental Rating	IP X5
Temperature Rating	-25 °C to +85 °C

Mounting Holes	ATC Blade Fuse Isometric View
Terminal Dim.	Blade Fuse Dim.

Circuit Diagram



Material :  
 Cover : PC. (Black)  
 Housing & Base : PBT. (Black)  
 Terminal : Copper

NOTE:  
 Tolerance  $\pm 0.5$  except noticed