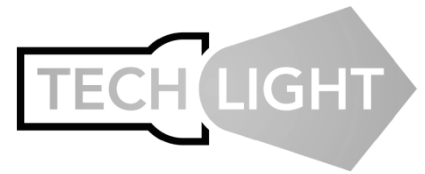


User Manual



ST-3948 240V Aluminium Light Strip with Switch

Specifications:

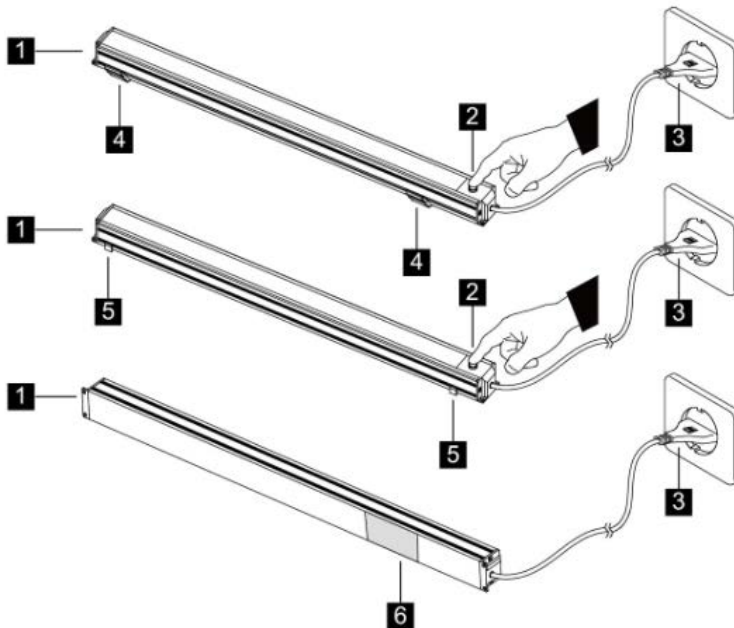
Voltage input:	100-240VAC
Power:	15W
IP Rating:	IP41
Colour Temperature:	6000-6500K
Lumens:	950
Dimensions:	1200(L) x 30(W) x 25(H) mm

Installation:

- Measure your intended placement of the light strip to an available power point, based on the length of the power cable lead.
- Mount your light strip using the screws or plastic clips provided.
- Plug the power lead into a power point.
- Press the On/Off switch to turn on and off.

Parts Description:

- | | |
|-------------------------|----------------------------|
| 1. Light | 4. 45 degree plastic clips |
| 2. On/Off Switch | 5. 90 degree plastic clips |
| 3. Power Input 100-240V | 6. Rating label |



NOTES:

- DO NOT get any part of the light or the power lead wet.
- DO NOT attempt to open, repair or modify any part of the light or the power lead.

Distributed by:
TechBrands by Electus Distribution Pty. Ltd.
320 Victoria Rd, Rydalmere
NSW 2116 Australia
Ph: 1300 738 555
Int'l: +61 2 8832 3200
Fax: 1300 738 500
www.techbrands.com