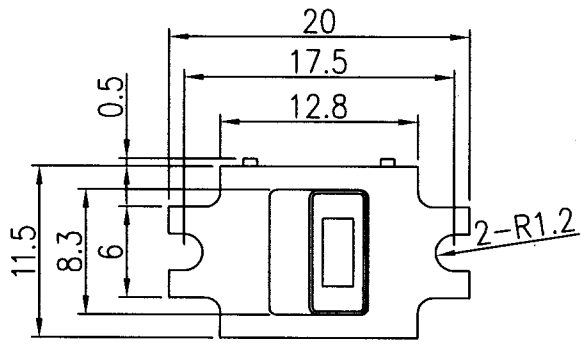
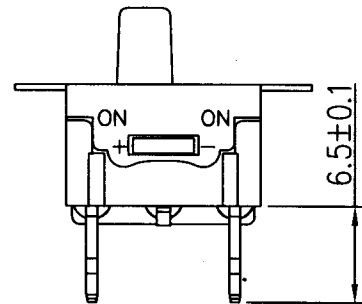
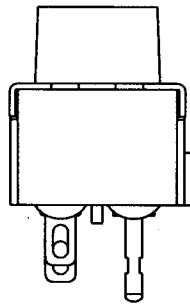
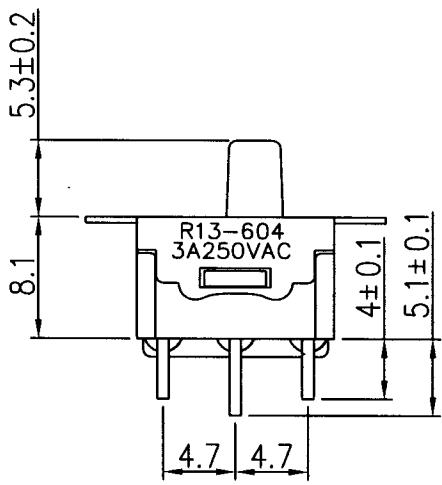


Rating	6A 125V,3A 250V AC	Mounting Hole	Circuit Diagram
Contact Resistance	50m ohm Max.		
Insulation Resistance	DC 500V 100M ohm Min.		
Dielectric Strength	AC 1500V 1 minute		
Switch Function	5P SPDT ON-ON		



原稿)



1890016	Green
1890015	Red
SCI BOM NO.	LED Color

TOLERANCE: ±0.3mm UNLESS OTHERWISE SPECIFIED.

C8\R13\R13-604C(1890015,016)_1

03/19/'08	曹盈芳	客戶反應樣品與圖面端子尺寸有差異，故增加公差標示			△
Date	Name	Description			NO
Drawn	Checked	Approved	SCI BOM NO.	SEE TABLE	Model Name SLIDE SWITCH
曹盈芳			Customer No.		Model No. R13-604C
03/19/'08		3/19/08	Unit	mm	SHIN CHIN INDUSTRIAL CO., LTD. REV. 1