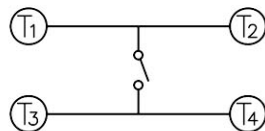
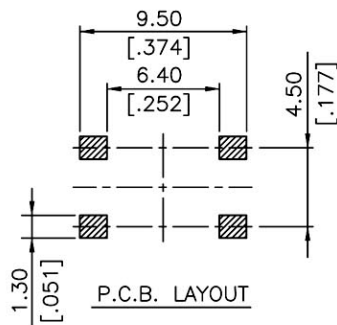
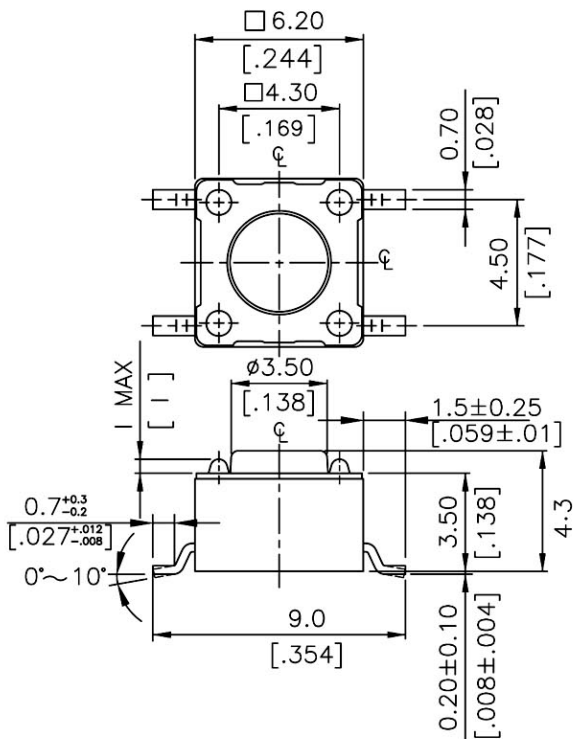


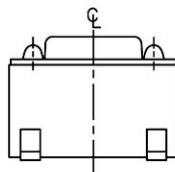
NOTE:

1. ALL DIMENSIONS ARE IN MILLIMETERS, BRACKETED DIMENSIONS ARE IN INCHES.

2. GENERAL TOLERANCES MAX. ± 0.20 mm.



CIRCUIT DIAGRAM



ITEM	DESC.	Q'TY	MATERIALS	TREATMENT	REMARK
1.	COVER	1	STAINLESS STEEL	NONE	-
2.	STEM	1	HIGH - TEMP THERMOPLASTIC NYLON UL 94V-0	-	-
3.	CONTACT	1	PHOSPHOR BRONZE	WITH SILVER CLADDING	-
4.	TERMINAL	1	BRASS	WITH SILVER PLATING 0.5uM	-
5.	BASE	1	HIGH - TEMP THERMOPLASTIC NYLON UL 94V-0	MOLDERD BROWN	-

ZONE	REV	DESCRIPTION	DATE	APPD.
A		INC. REL.	03.16'00	

APPD:	QTY:	PART NAME:
CHKD:	SCALE: 8 : 1	TACTILE SWITCH SMT TYPE
DR:	REV: A	6X6
DESIGN:	UNITS: mm	DWG NO:
		SP0610