

# SUPREME RESOLUTION 3-AXIS IR DOME CAMERA MANUAL



## PRECAUTION

1. Do not install the camera outdoors.
2. Choose an ideal location for the camera, since a camera unit must be protected against moisture and vibration.
3. Be careful not to scratch the camera unit, especially lens or dome cover.
4. Use the camera within the temperature(-45°C~50°C).
5. Handle with care. Dropping it can cause serious damage to the camera.
6. Avoid any direct sun light toward the lens.
7. Use the AC adaptor 12V DC, 500mA regulated.

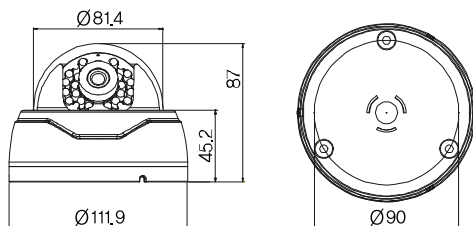


If the product is to be put out of operation definitively, take it to a local recycling plant for a disposal which is not harmful to the environment.

## FEATURES

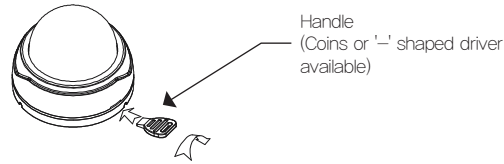
1. Supreme Resolution(1000 TV-Line).
2. This camera is incredibly flexible to install with its 3-axis camera construction, which makes the camera ceiling, wall or slope mountable.
3. 20M range visible in total darkness with 24pcs(or 22pcs) of IR LEDs.(Indoor)

## DIMENSION



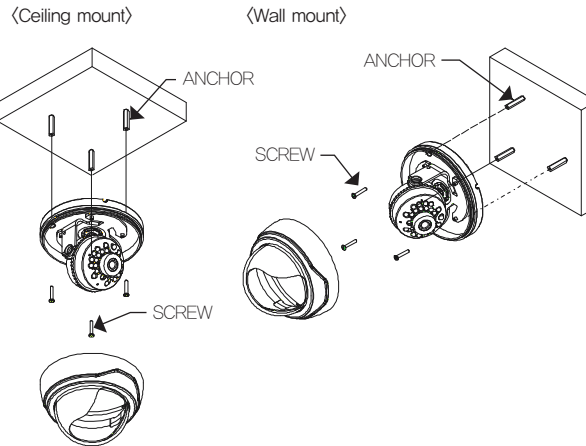
## HOW TO INSTALL

1. **Opening the dome cover :** Insert the handle to the side hole and twist it.(Remove the protection sheet after installing.) After that, lift the dome cover.



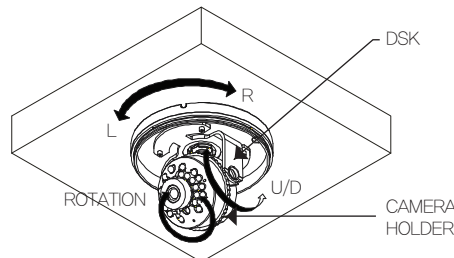
2. **Camera installation :**

- (1) Fix the camera set with the supplied screws on ceiling or wall mount. If you don't use supplied screws, the camera may fall off.
- (2) Please refer to '3. Camera angle adjustment' regarding adjust camera angle.
- (3) Re-assemble the camera.



3. **Camera angle adjustment :**

- (1) Pan adjustment : Grasp the disk of camera and then adjust direction to the right or left(-180°~180°)
  - (2) Tilt adjustment : Grasp the camera holder of camera and then adjust direction to the up or down(6°~90°)
  - (3) Roll adjustment : Grasp the camera holder and then rotate (-178°~178°)
- <Caution> If you try to adjust the camera out of limited angle, it might cause troubles and damage to camera.



## SPECIFICATION

	TYPE
Image Sensor	1/3" 1.2Mega Image Sensor
Resolution	1000 TV-Line
TV Type	NTSC, PAL
Sync. Type	Internal
Scanning System	2:1 Interlace
Video Output	1Vp-p(Sync,Negative) Termination 75Ω
Gamma Characteristic	γ= 0.45 Typ.
Min. Illumination	0Lux(LED ON) - 20M Range
S/N Ratio	48dB or More(AGC OFF)
Gain Control	Automatic gain control
Day&Night	TDN(Auto)
Test Illuminance Area	Average test illumination by front view
Power Supply	Regulated 12V DC ±10%
Current Consumption	Max. 200mA(LED ON)
Preservation Temp.	-45°C ~ 50°C
LED	IR LED 24EA
LENS	Fixed focal board lens
Dimension	Ø111.9(W) x 87(H)mm
Weight	Approx. 185g