

2Mp CMOS Full HD Vandal-proof Network Mini Dome Camera



Features

- > 1/3" 2.0 Megapixel SONY progressive scan Exmor CMOS image sensor
- > High-performance TI DaVinci series DSP
- > H.264 video compression and JPEG image capture
- > Max 25/30fps@1080P resolution
- > Dual encoding streams supported
- > Lens: 3.6mm
- > Max 32GB Micro SD card for local storage
- > Support DC12V power supply, PoE
- > IK10-rated Vandal-proof & IP66 Water-proof
- > Built-in Web server, NVR, CMS(PSS/DSS)

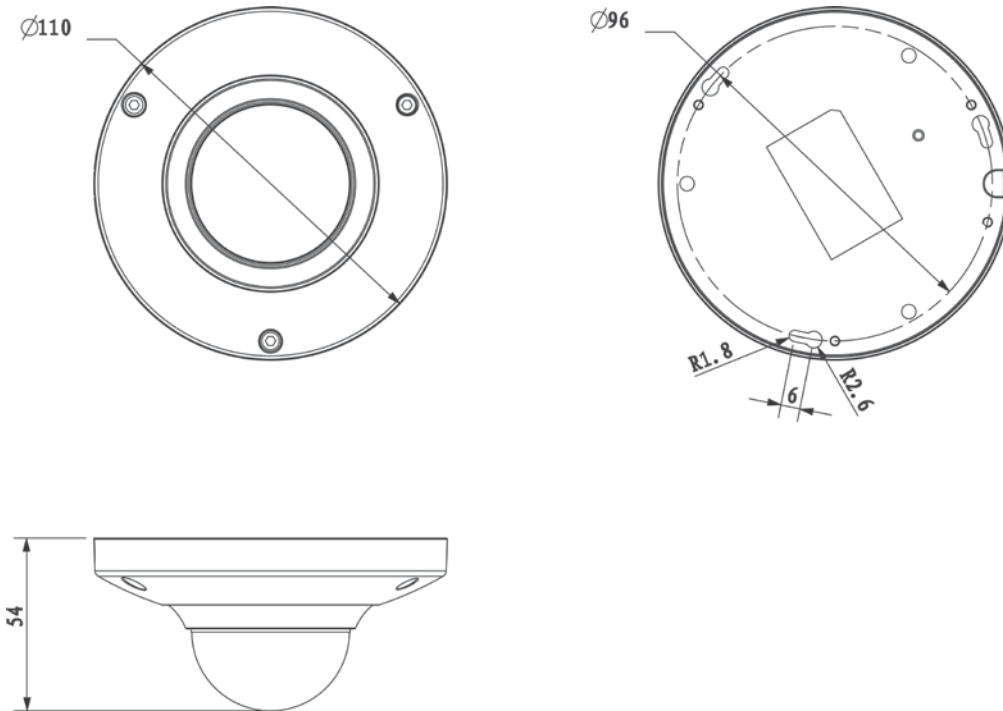
Specifications

General	
Processor	TI DaVinci Series DSP
Operating System	Embedded LINUX
Resource	Simultaneous remote monitoring, local recording and remote control
User Interface	WEB, CMS(DSS/ PSS), NVR
Camera	
Image Sensor	1/2.9" 2.0 Megapixel SONY progressive scan Exmor CMOS
Effective Pixels	1920 (H)×1080(V)
Electronic Shutter	Auto/Manual, 1/3~1/10000s
Mini. Illumination	0.1LUX/F1.2(Color), 0.05LUX/F1.2(B/W)
Signal Noise Ratio	>50dB
Gain Control	Auto/Manual
White Balance	Auto/Manual
Day/Night	Electrical Day/Night
Lens Mount	M12
Lens	3.6mm
Video	
Video Compression	H.264/MJPEG
Image Resolution	1080P(1920×1080) / 720P(1280×720) / D1(704×576/704×480)
Encoding Speed	1080P/720P(1~25fps) + D1(1~25fps)
Bit Rate	160K~8Mbps
Snapshot	Fastest 1fps JPEG capture
Video Format	PAL
Network	
Ethernet	RJ-45 (10/100Base-T)
Network Functions	HTTP, TCP/IP, ICMP, RTSP, RTP, UDP, SMTP, NTP, DHCP, DNS, IP Filter, PPPOE, DDNS, FTP, , Alarm Server
Remote Operation	Monitor, PTZ control, Playback, System setting, File download, Log information, Maintenance & Upgrade
Auxiliary Interface	
SD Card	Max 32GB, local storage
Environmental	
Power Supply	DC12V, PoE
Power Consumption	<4W
Ingress Protection	IK10 & IP66
Operating Environment	-10°C~+60°C, 10%~90%
Dimension	φ110mm x 54mm

QC-8626

Weight	400g
--------	------

Dimensions (mm)



Distributed By:

Electus Distribution Pty. Ltd.
320 Victoria Road
Rydalmere NSW 2116 Australia
Phone: 1300 738 555
Fax: 1300 738 500
www.electusdistribution.com.au