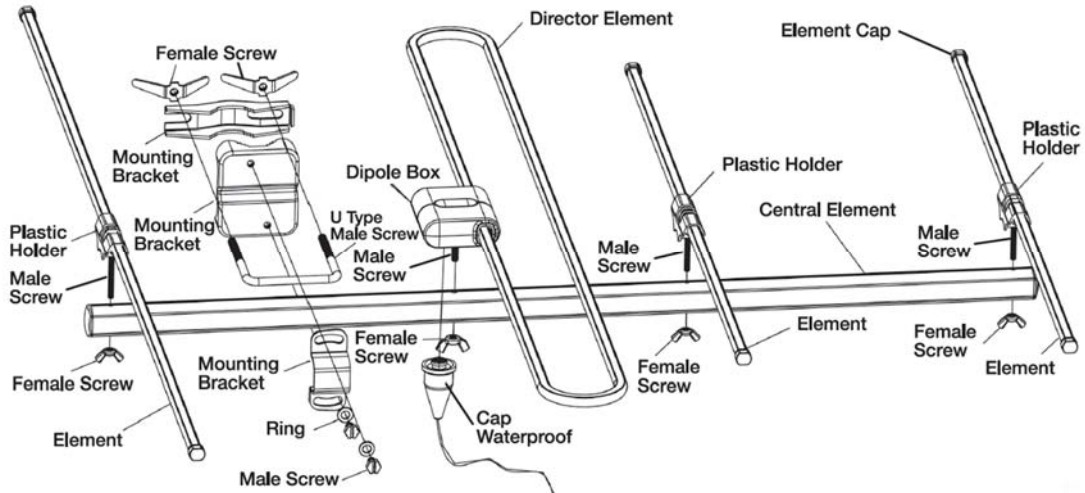


## DAB+ Outdoor Antenna

LT-3159

### Assembly Diagram:



### Specifications:

Elements: 4  
Antenna Gain: 3dB  
VHF Frequency: 170-230MHz  
Band: 3  
Channels: 6-12  
Impedance: 75Ω  
Dimensions: 745(L) x 740(W) x 70(H)mm

Distributed by:  
TechBrands by Electus Distribution Pty. Ltd.  
320 Victoria Rd, Rydalmere  
NSW 2116 Australia  
Ph: 1300 738 555  
Int'l: +61 2 8832 3200  
Fax: 1300 738 500  
[www.techbrands.com](http://www.techbrands.com)