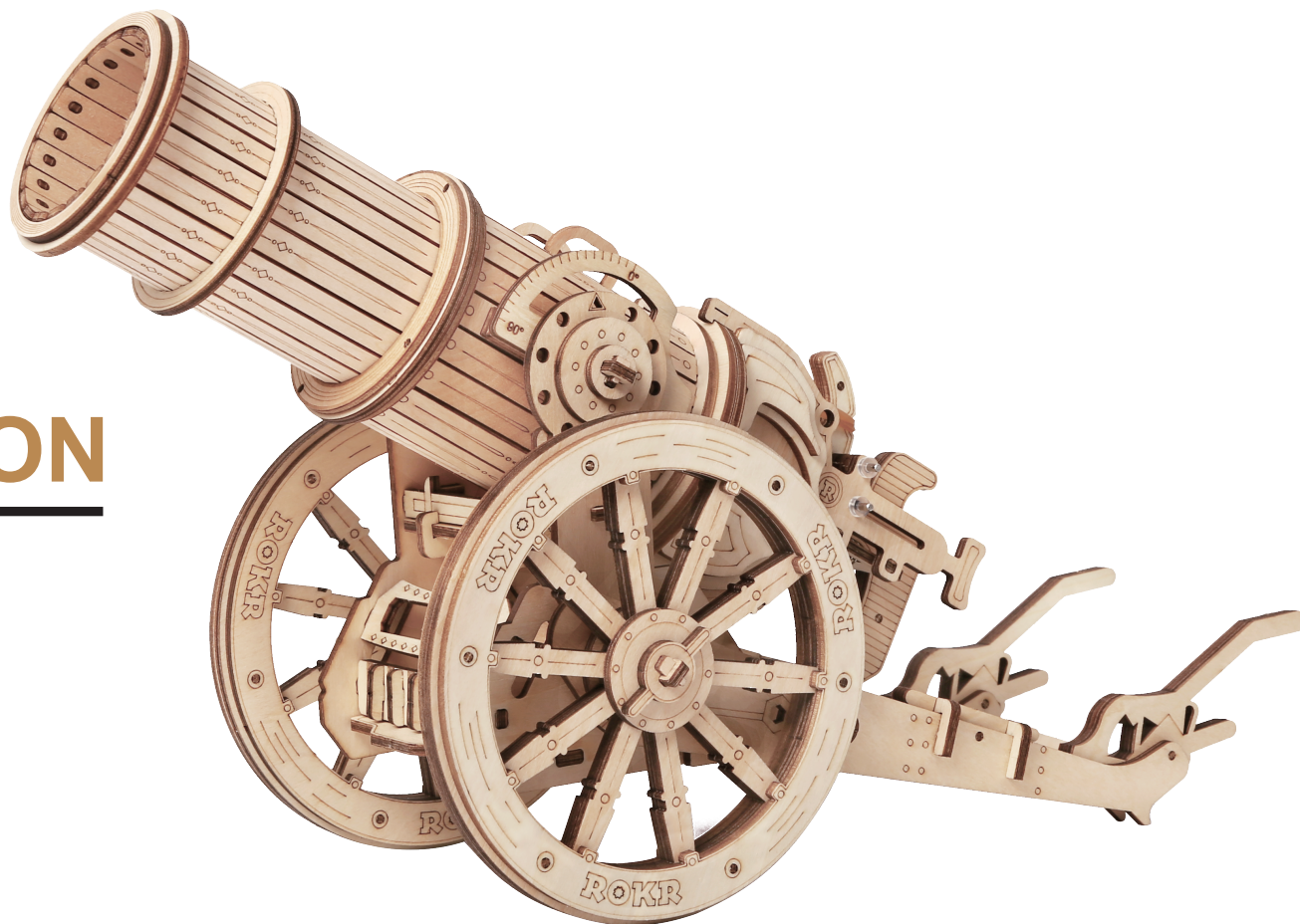


ROKR

MEDIEVAL WHEELED CANNON

KW801

3D WOODEN PUZZLE
MECHANICAL MODELS



ASSEMBLY INSTRUCTION

WARNING:

The product is for people who **include and over 14 years old**. Kids should assemble under the guidance of adults.

MAINTENANCE:

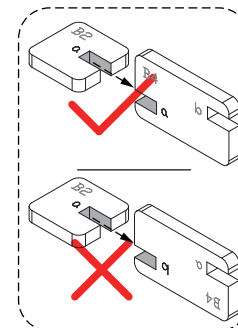
1. Keep the product away from the source of ignition and water to prevent any damage.
2. Don't use chemical reagents like alcohol, ammonia water to clean the product.
3. Use clean and soft fabric to clean the product if necessary.

ATTENTION



Product Display

1. **Take off the pieces** from the board according to each step **before assembling**, and place them properly in case of missing.
2. According to the instructions when you assemble all the pieces. **Keep properly the instructions and validated after assembly.**
3. Polish the parts with sand paper, **enhance aesthetic feeling** and gear lubrication.
4. **Repair with glue** prepared by yourself if the wooden pieces would be break.
5. There are letters on some parts as shown, **assemble them together with same letters.**
6. Scan the **QR code** with remind for assembly video.
7. There is a little different from several parts and the pictures on instruction, **subject to parts number.**
8. There are **spare parts** on wooden board.



*CUSTOMER SERVICE

ROKR Facebook: [@rokrofficial](#) **Email:** service@robotime.com

Please contact us on Facebook or email if you have any questions.

FAQ:

Problem	Cause	Solution
The trigger doesn't pull smoothly	1.No wax with part C2 and F2. 2.No wax with combined parts f and g.	According to step 5, wax the parts as shown in the instructions.
Unable to fire shells	The screw P1 is too tight, blocked the launch of the shell.	Loosen the screw a little.



Special attention in assembly



Perspective changed

1

Step 1



Wax the gray parts with remind



Printed side

2

Step 2

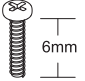

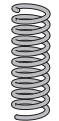

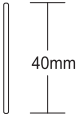


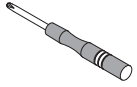

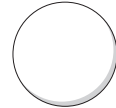


Complete 2 same parts



Blank side

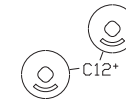
Parts List *Due to customs policy in international shipping, the wax and glue may not be included. Please prepare them yourself.

Item	Cross screw	O-ring	Spring	Transparent sleeve	Steel shaft	Rubber band	Wax	Screwdriver	Double-sided tape	Pingpang ball
Part number	P1	P2	P3	P4	P5	P6	P7	P8	P9	P10
Illustration										
Quantity	20	2	2	4	2	1	1	1	1	5

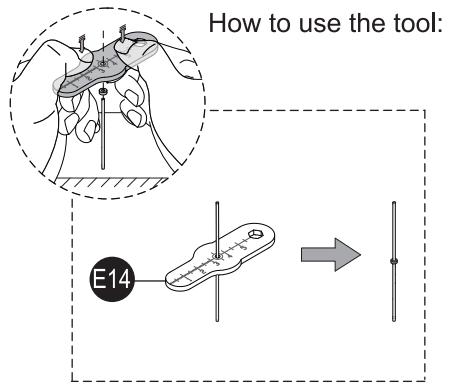
Note:



Spare parts of B8

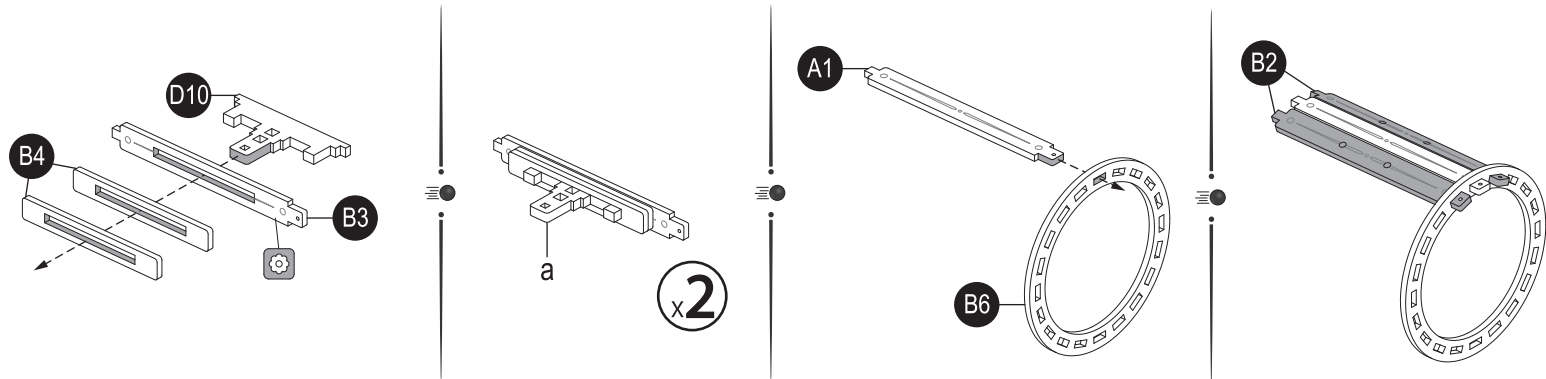


Spare parts of C12




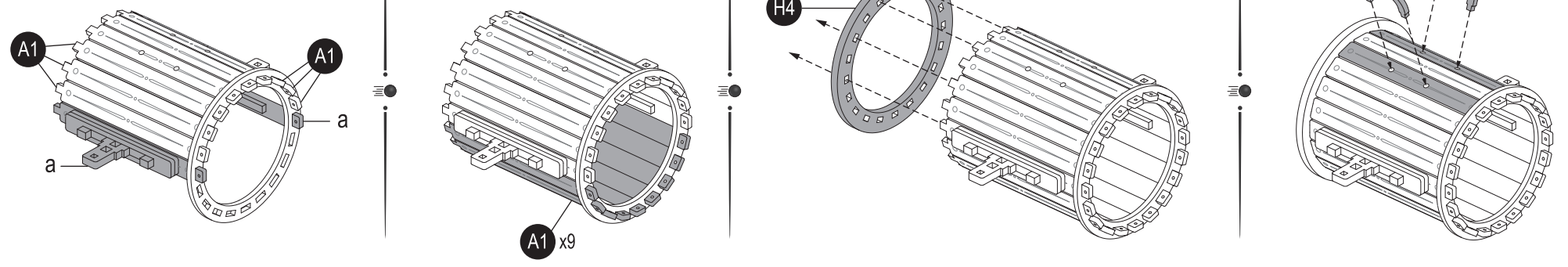
1

- A1
- B2 x2
- B3 x2
- B4 x4
- B6
- D10 x2

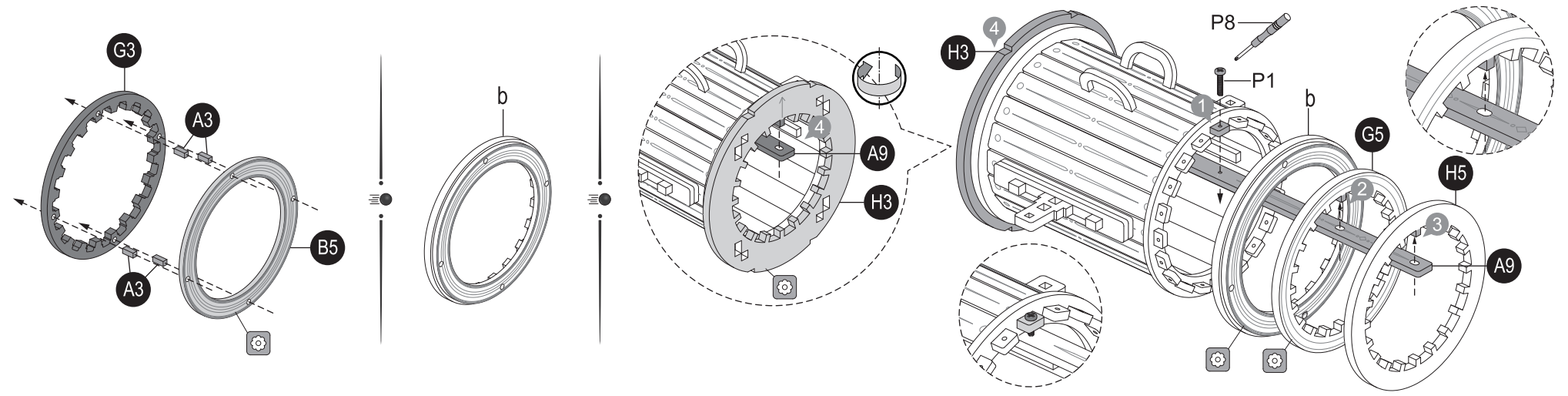


- A1 x15
- A2 x2
- H4

 Assembling part a face to face on wooden ring B6

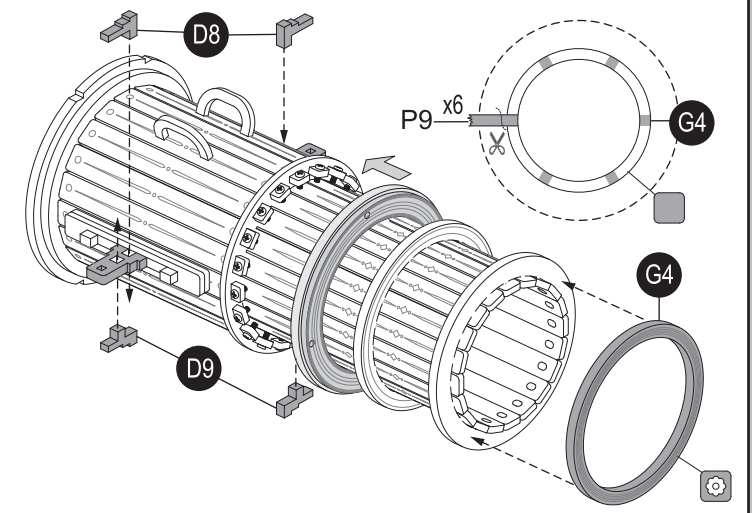
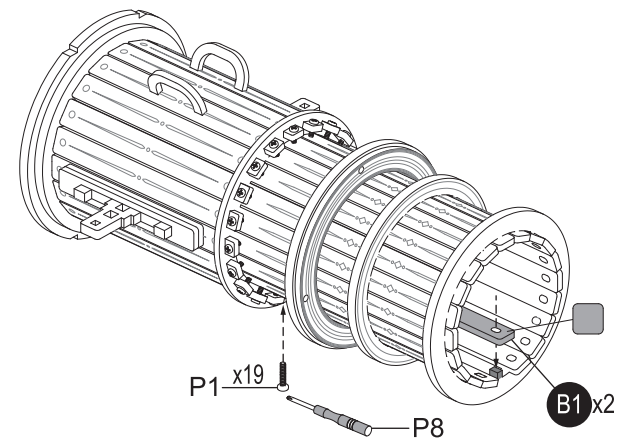
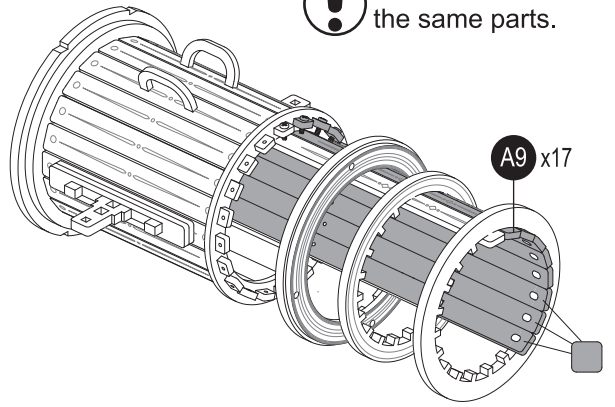


- 2**
- A3 x4
 - A9
 - B5
 - G3
 - G5
 - H3
 - H5
 - P1
 - P8

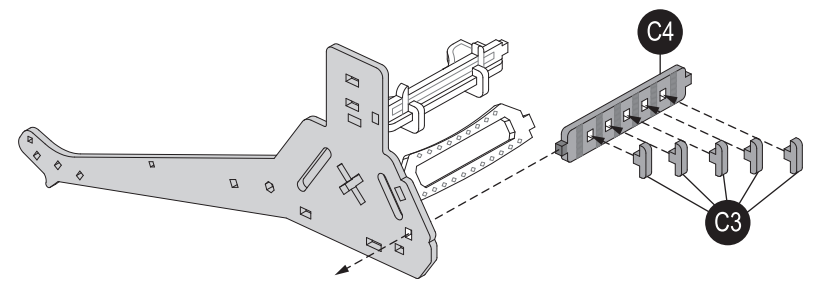
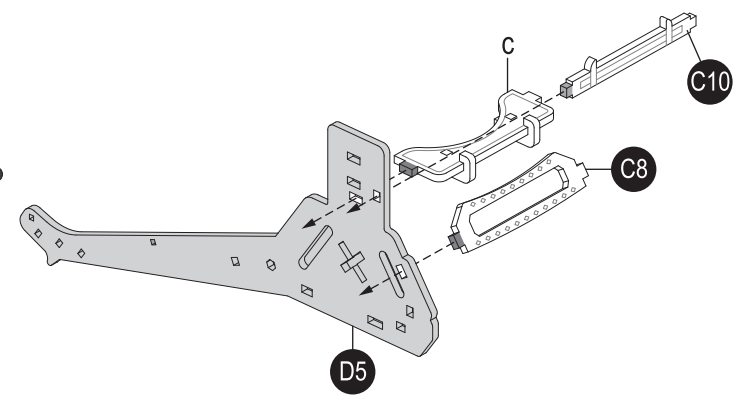
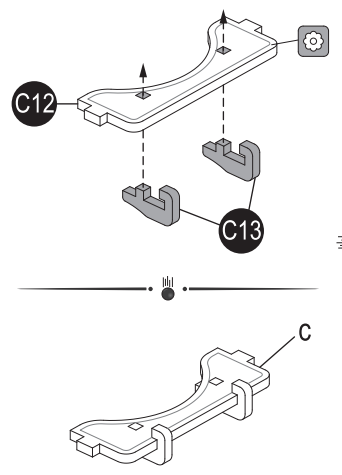


- A9 x17
- B1 x2
- D8 x2
- D9 x2
- G4
- P1 x19
- P8
- P9

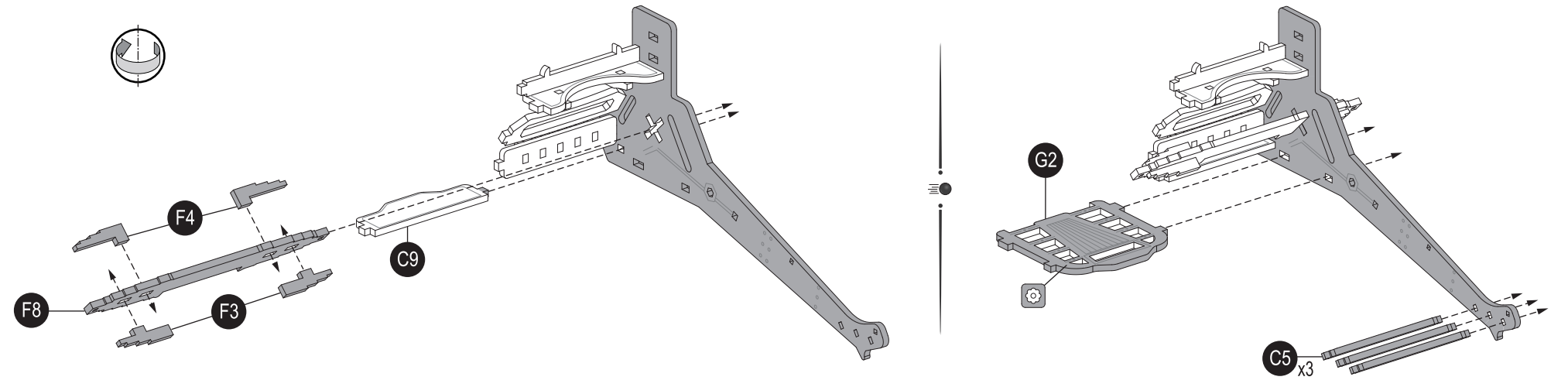
! A9 and B1 are the same parts.



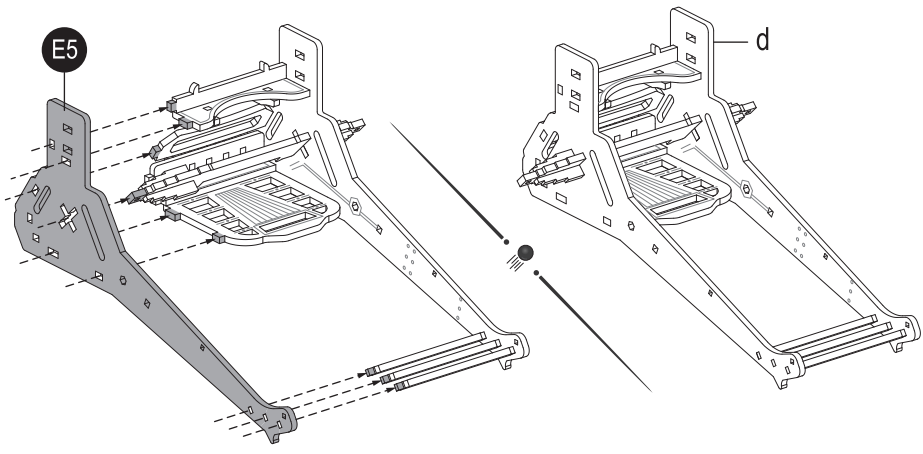
- 3**
- C3 x5
 - C4
 - C8
 - C10
 - C12
 - C13 x2
 - D5



- C5 x3
- C9
- F3 x2
- F4 x2
- F8
- G2

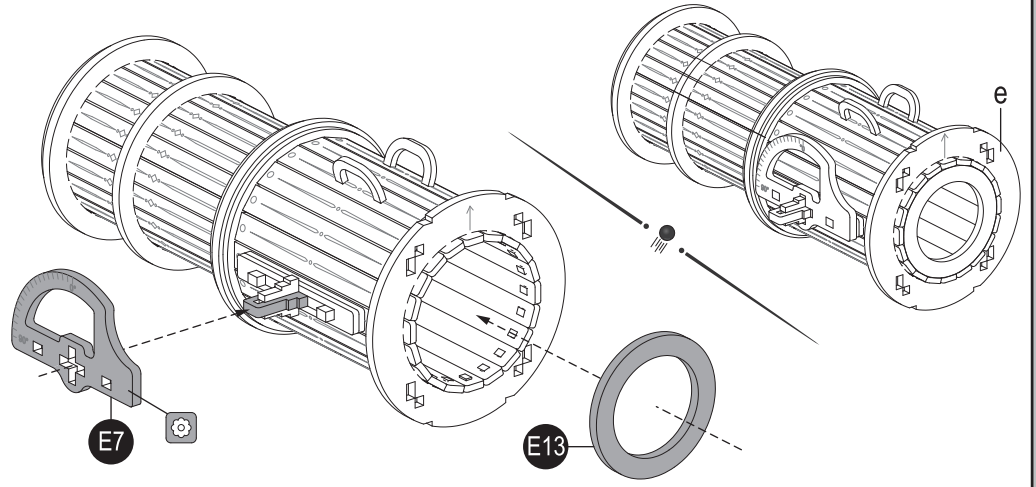


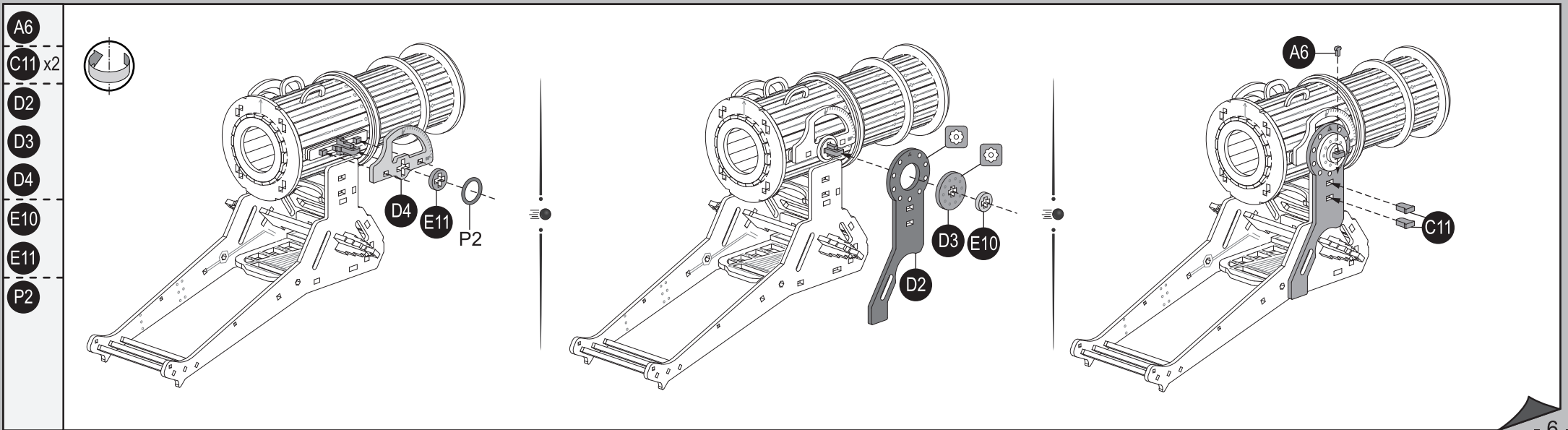
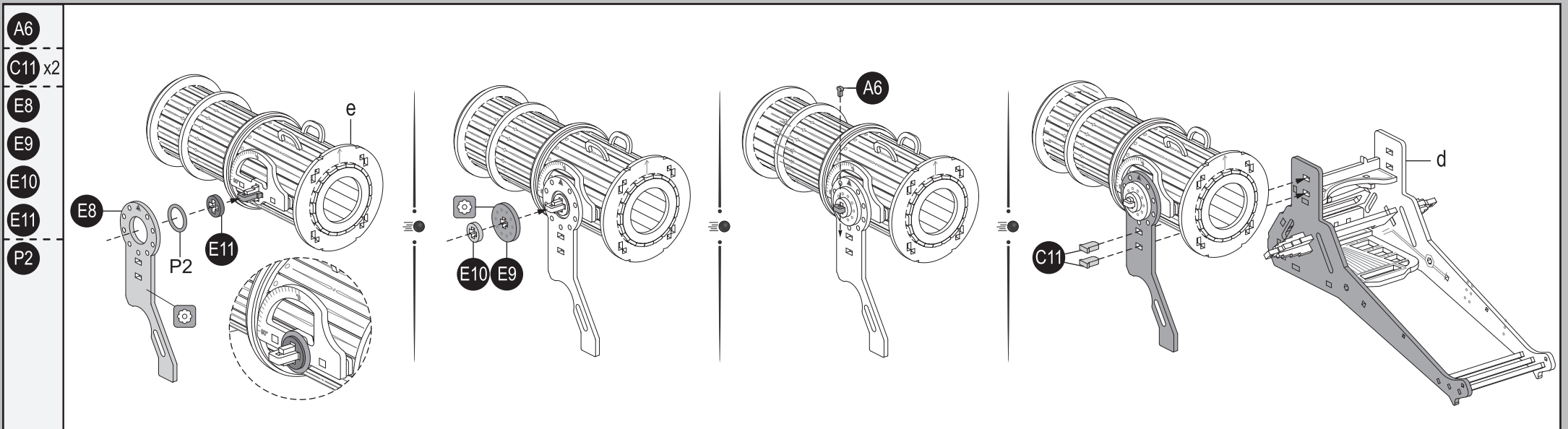
E5



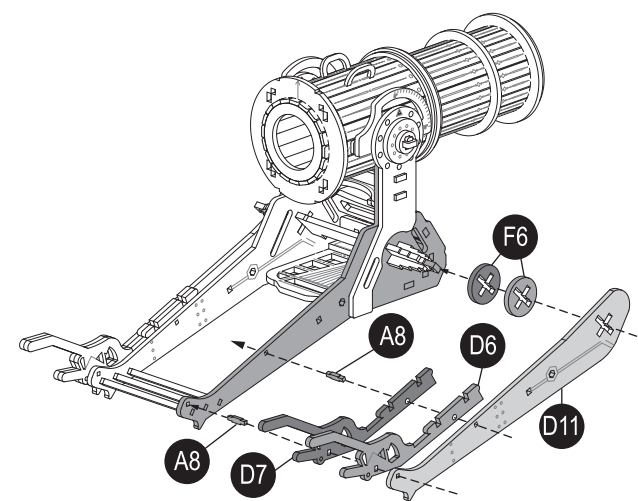
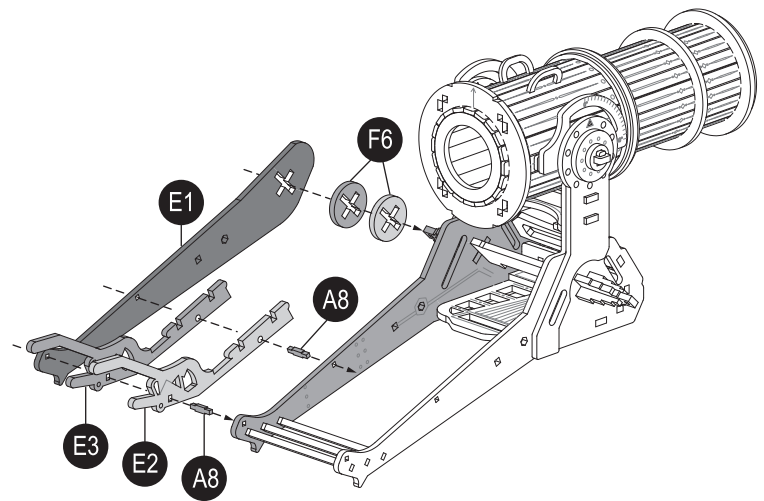
4

- E7
- E13

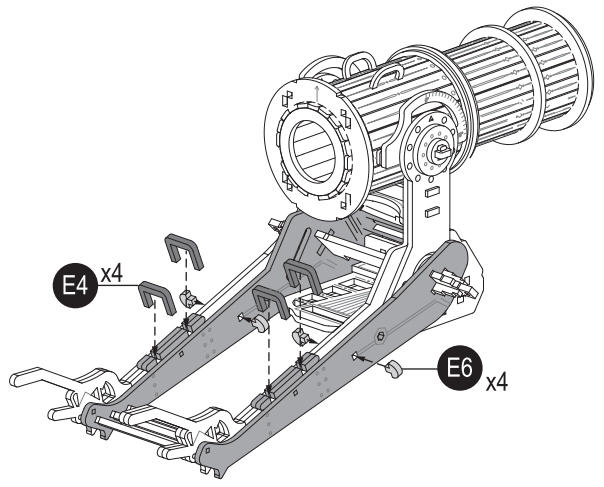




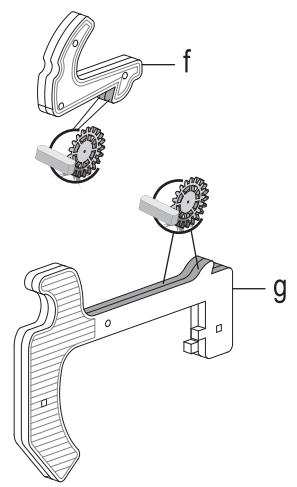
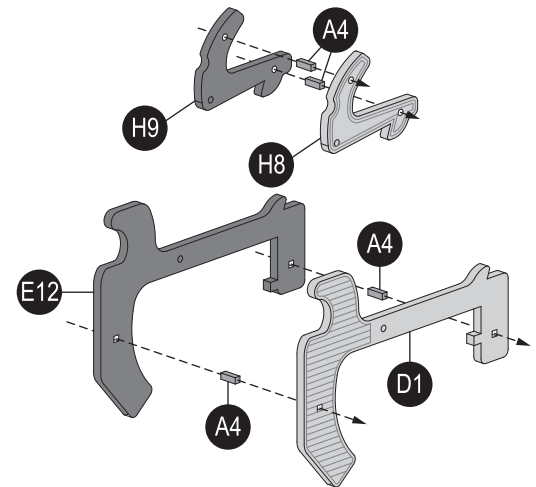
- A8 x4
- D6
- D7
- D11
- E1
- E2
- E3
- F6 x4



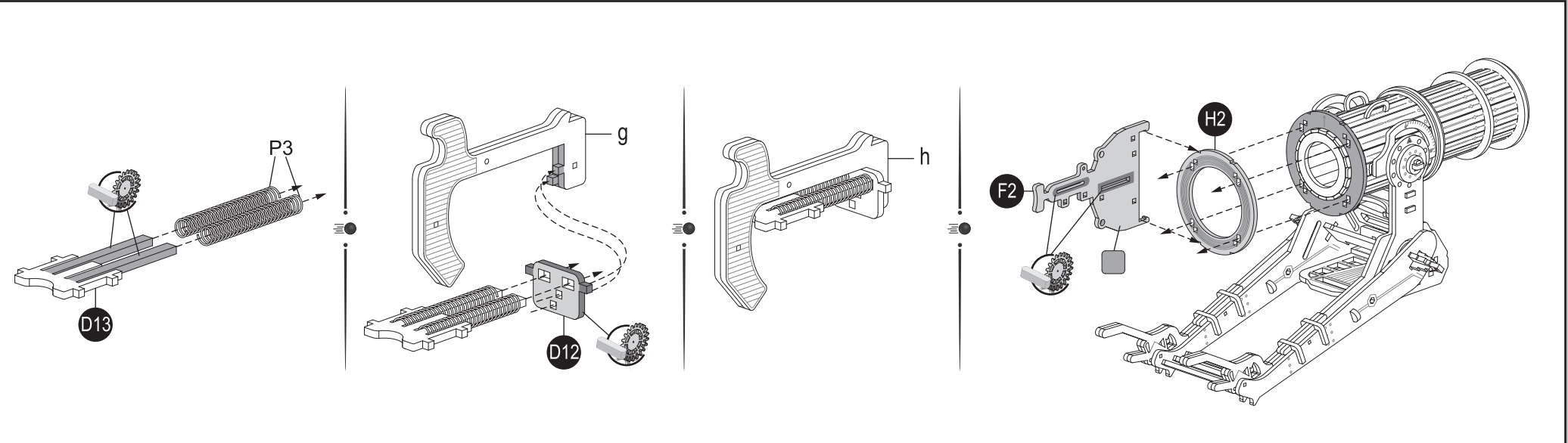
- E4 x4
- E6 x4



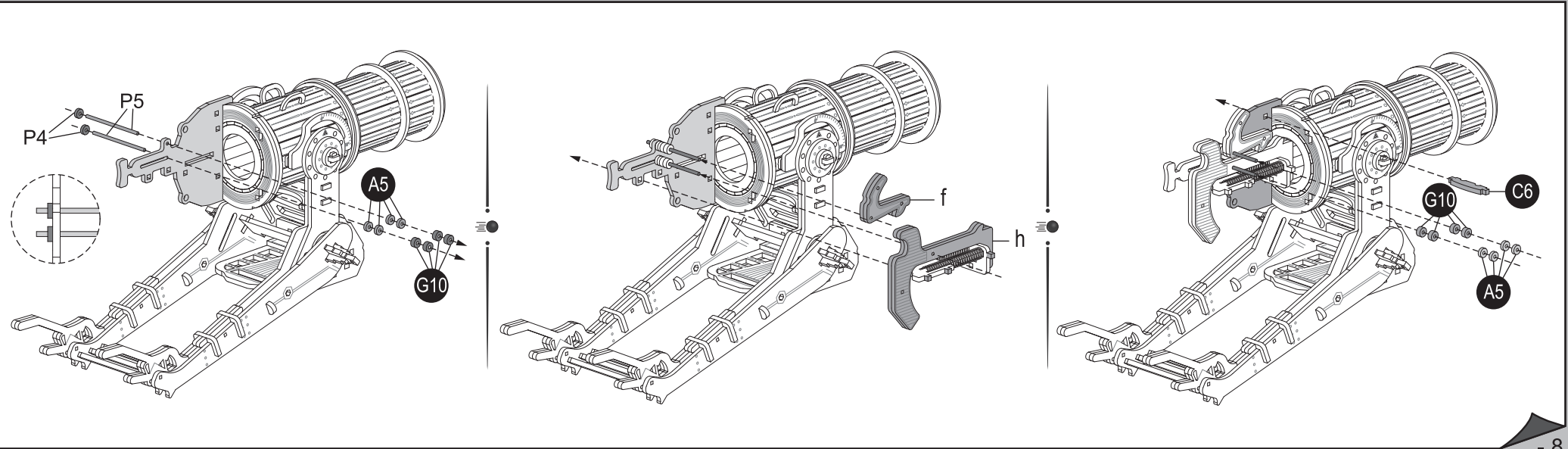
- 5**
- A4 x4
 - D1
 - E12
 - H8
 - H9



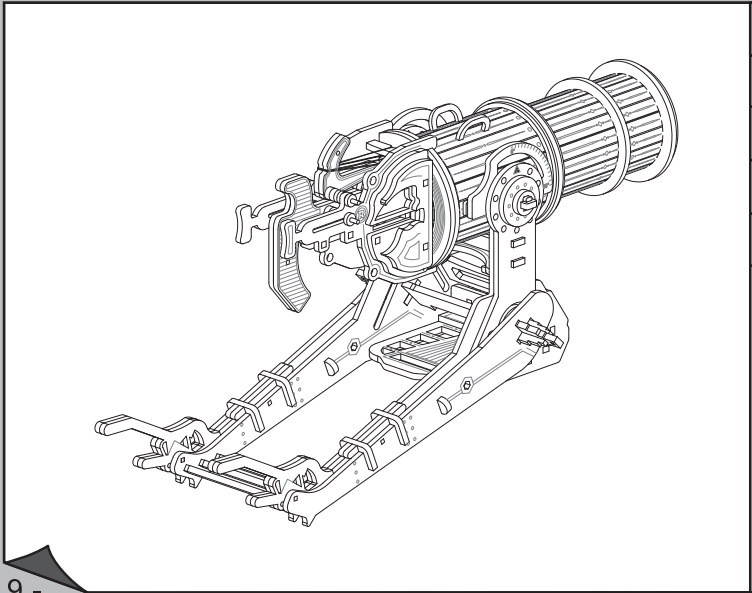
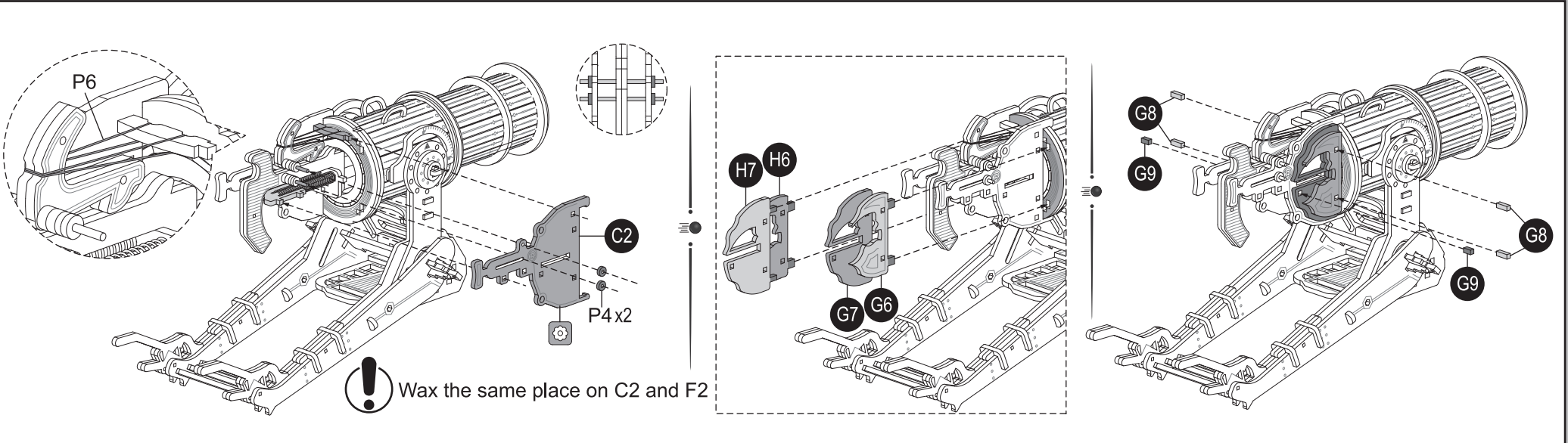
- D12
- D13
- F2
- H2
- P3 x2



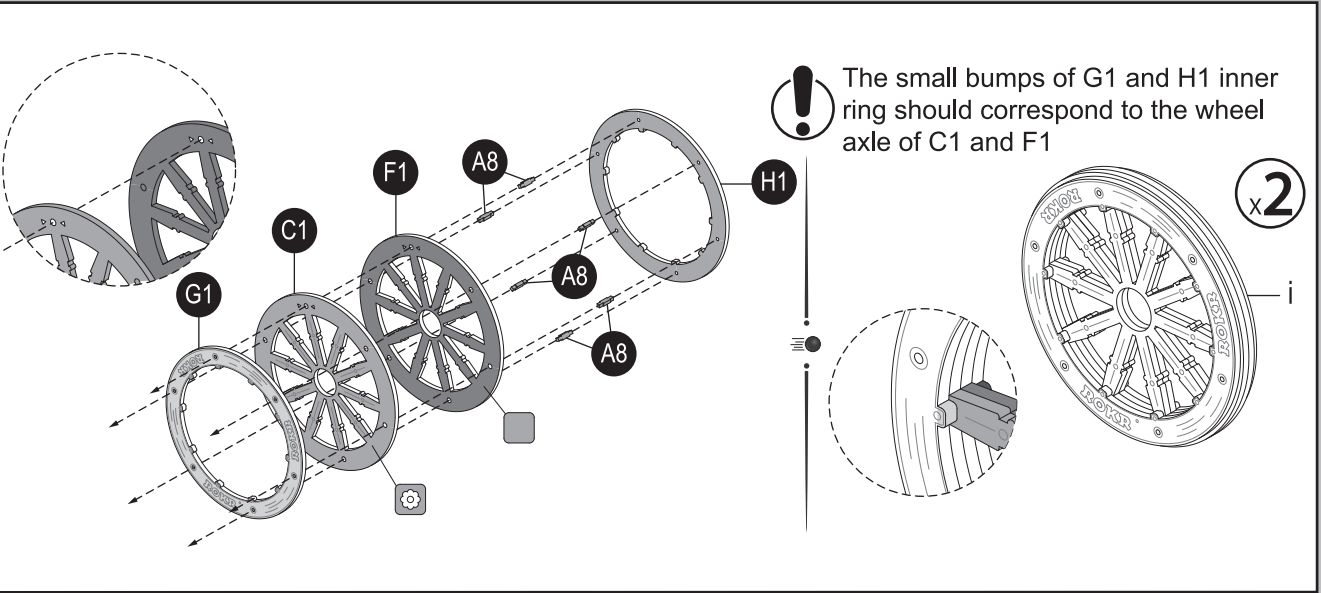
- 6
- A5 x8
- C6
- G10 x8
- P4 x2
- P5 x2



- C2
- G6
- G7
- G8 x4
- G9 x2
- H6
- H7
- P4 x2
- P6



- 7**
- A8 x12
 - C1 x2
 - F1 x2
 - G1 x2
 - H1 x2



A7 x2

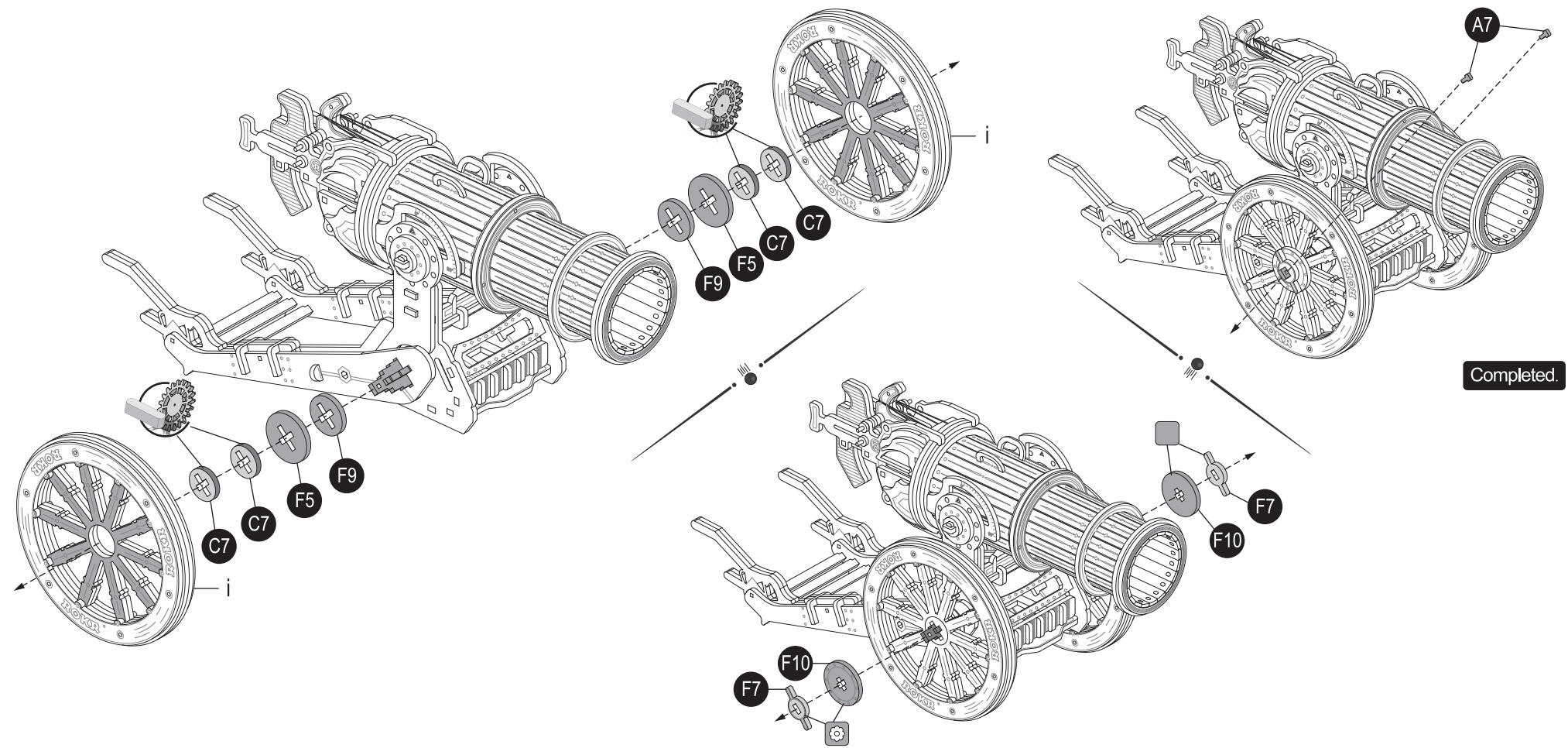
C7 x4

F5 x2

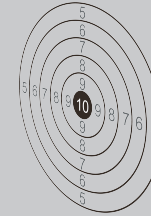
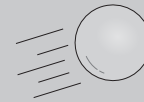
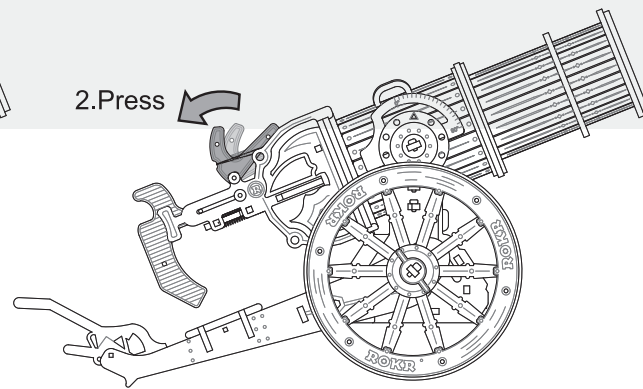
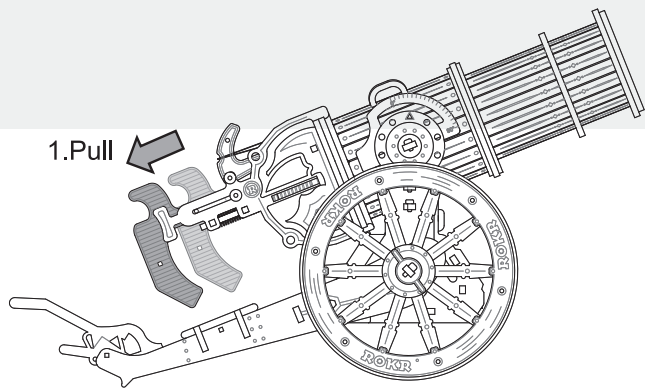
F9 x2

F7 x2

F10 x2



Completed.



Find us on Facebook & Youtube.
Visit www.robotime.com for more new designs.