



**HDMI Cat 6 Extender 4K  
AC-1737  
User Manual**

## Introduction

The HDMI Extender over Single Cat6 with IR extends high definition video and audio signals and IR, at a distance of up to 164ft/50m over a single Cat6 cable. With only one cost effective Cat6 cable, high definition sources with HDMI outputs can be connected to high definition displays with HDMI inputs over long distances. DTS-HD or Dolby True HD audio is supported and compatible with the extender. In addition, the extender is also equipped with pass-through which allows for source control. The extender includes two units: transmitting unit and receiving unit. The transmitting unit is used to capture the HDMI input with IR signals and carries the signals via one cost effective Cat6 cable. The receiving unit is responsible for equalizing the transmitted HDMI signal and reconstructing IR control signals. The extender offers the most convenient solution for HDMI extension over a single Cat6 with long distance capability, and is the perfect solution for any application.

**For the best performance of this unit, please read this manual carefully and keep it for further information.**

## Features

- Allows HDMI Audio/Video and IR signals to be transmitted over a single Cat6 cable
  - Support copy EDID from receiver display
  - Extends 1080P @60Hz up to 196ft/60m over a single Cat6 cable
  - Works with HDMI and HDCP compliant devices
  - Support power over cable function(Transmitter or Receiver)
  - Compact design for an easy and flexible installation
- Transmission Range:**
- Extends 4K2K@30Hz up to 164ft/50m over a single Cat6 cable

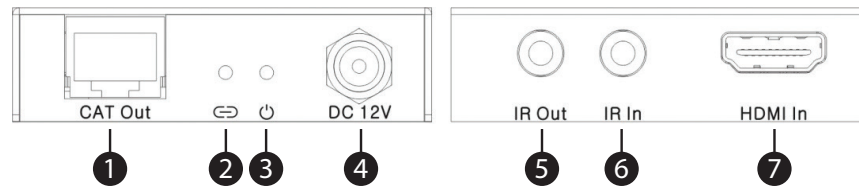
## Box Contents

1x HDMI Transmitter	2x Wideband IR Rx cable
1x HDMI Receiver	1x Mains Power Supply
2x Wideband IR Tx cable	1x User Manual

## Specifications

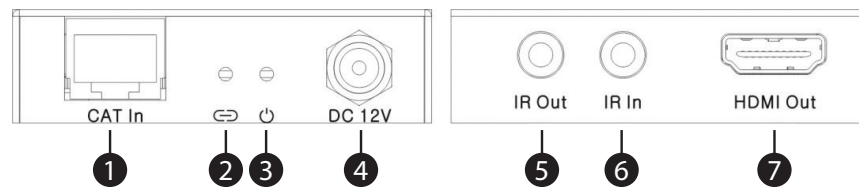
HDMI Compliance:	HDMI 1.4
HDCP Compliance:	HDCP 2.2
Video Bandwidth:	10.2 Gbps
Video Resolutions:	up to 4K2K@24/30Hz
Color Space:	RGB 4:4:4, YCbCr 4:4:4, YCbCr 4:2:2
Color Depth:	8-bit
HDMI Audio Formats:	(Pass-through) LPCM 2/5.1/7.1CH, Dolby Digital, DTS 5.1, Dolby Digital+, Dolby TrueHD, DTS-HD Master Audio, Dolby Atmos, DTS:X
Transmitter:	
Inputs:	1 x HDMI Socket
Outputs:	1 x RJ45
IR Output:	2 x 3.5mm (Cable Included)
Receiver:	
Inputs:	1 x RJ45
Outputs:	1 x HDMI Socket
IR Receiver:	2 x 3.5mm (Cable Included)
Dimensions:	88(W) x 61(D) x 17(H)mm (Each)
Weight:	144g (each)
Power Supply:	12VDC @ 1A (Mains Powerpack Included)

## Operation Controls & Functions



### Transmitter Panel:

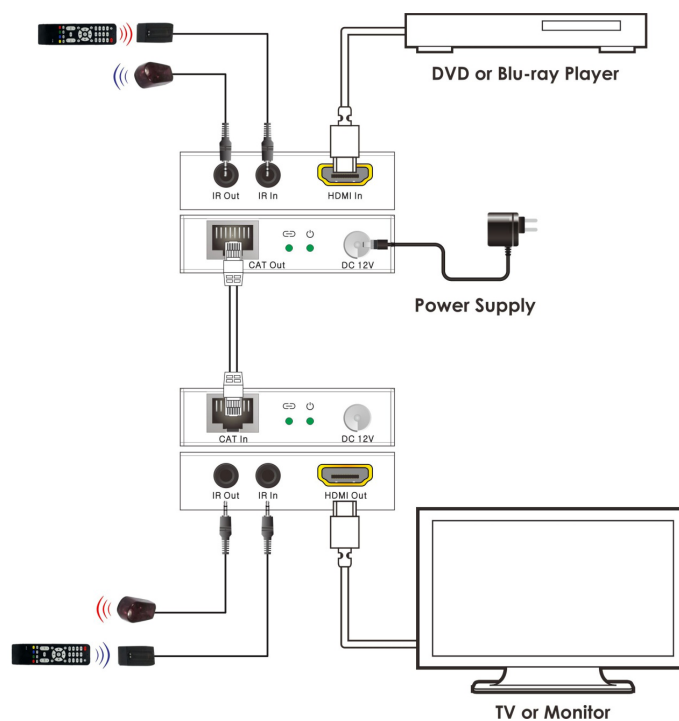
1. CAT: Connect the CAT output of the transmitter with the CAT input of the receiver with CAT6 cable.
2. Link LED: This LED will illuminate when the device is connected to HDMI source.
3. Power LED: This LED will illuminate when the device is connected with power supply.
4. DC 12V: Connect from 12V DC power supply into the unit and connect the adaptor to an AC outlet.
5. IR out: Connect the IR Blaster cable included in the package for IR signal transmission. Place the IR blaster in direct line-of-sight of the equipment to be controlled.
6. IR in: Connect to the IR Receiver for IR signal reception. Ensure that remote being used is within the direct line-of-sight of the IR receiver.
7. HDMI in: This slot is where you connect the HDMI output port of your source equipment such as DVD/Blu-ray players or Set-Top-Box with an HDMI cable.



### Receiver Panel:

1. CAT: Connect the CAT input of the receiver with the CAT output of the transmitter with CAT5E/6 cable.
2. Lock LED: This LED will illuminate when the HDMI signal from the transmitter is stable.
3. Power LED: This LED will illuminate when the device is connected with power supply.
4. DC 12V: Connect from 12V DC power supply into the unit and connect the adaptor to an AC outlet.
5. IR out: Connect the IR Blaster cable included in the package for IR signal transmission. Place the IR blaster in direct line-of-sight of the equipment to be controlled.
6. IR in: Connect to the IR Receiver for IR signal reception. Ensure that remote being used is within the direct line-of-sight of the IR receiver.
7. HDMI out: This slot is to connect the HDMI input port of your display such as an HDTV.

## Connection Diagram



## Connect & Operate

1. Connect a source such as a Blu-Ray Player, game console, A/V Receiver, Cable or Satellite Receiver, etc. to the HDMI input on the Transmitting unit.
2. Connect a display such as an HDTV or HD Projector to the HDMI output on the Receiving unit.
3. Connect a single Category6 up to 164ft/50m to the output of the Transmitting unit, and the other end to the input of the Receiving unit.
4. For power, plug both the Transmitting unit and Receiving unit with the included power supplies.
5. Power on each device in the same sequence (receiver and transmitter will already be powered when either unit is plugged in.)

## Wideband IR(30KHz-60KHz) Introduction



IR RECEIVER

IR BLASTER

### IR Blaster (TX):

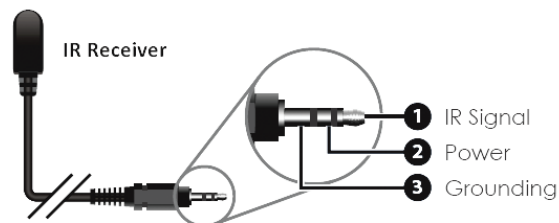
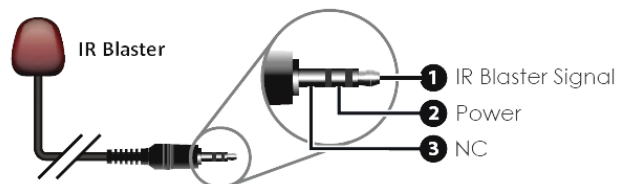
To control the source: Plug IR Blaster into IR TX port of transmitter unit; place blaster in front of the IR eye of the source.

To control the display: Plug IR Blaster into IR TX port of receiver unit; place blaster in front of the IR eye of the display.

### IR Receiver (RX):

To control the source: Plug IR Receiver into IR RX port of receiver unit; place receiver at or near display.

To control the display: Plug IR Receiver into IR RX port of transmitter unit; place receiver in position where it is able to receive remote signals.



Distributed by:  
TechBrands by Electus Distribution  
Pty. Ltd.  
320 Victoria Rd, Rydalmere  
NSW 2116 Australia

Ph: 1300 738 555  
Int'l: +61 2 8832 3200  
Fax: 1300 738 500

[www.techbrands.com](http://www.techbrands.com)

Made in China