

digitech

4-Way Audio Switcher



User Manual

AC-1723

Box Contents:



1 x 4-Way Audio Switcher



1 x Mains Power Adaptor

Product Diagram:



#	Feature	Description
1.	LED Status Indicator	Displays the current TOSLINK or Coax input selected and connection status
2.	TOSLINK Optical Inputs	Connect to a source device such as a TV, monitor, DVD, or Blu-ray Player
3.	Coax (RCA) Inputs	Connect to a source device such as a TV, monitor, DVD, or Blu-ray Player
4.	Switch Button	Press to switch between the TOSLINK and Coax inputs



#	Feature	Description
5.	5VDC Power Socket	Connect to the 5VDC mains power adaptor
6.	RCA (Right) Output	Connect to an RCA L&R device such as an amplifier
7.	RCA (Left) Output	Connect to an RCA L&R device such as an amplifier
8.	3.5mm Auxiliary Output	Connect to headphones or earphones
9.	TOSLINK Optical Output	Connect to a sound bars, headphones or amplifiers

Operation:

1. Connect the mains power adaptor to a standard 240VAC mains wall outlet and turn it on.
2. Connect the DC plug of the mains power adaptor to the 5VDC power socket of the digital to analogue converter.
3. Connect a TOSLINK optical cable (not included) or a coax cable (not included) to the TOSLINK or coax inputs. You can have up to two TOSLINK and two coax inputs in total. The TOSLINK input allows pass-through to the TOSLINK output.

4. Connect the opposite end of the TOSLINK or coax cable to your source device such as a DVD or Blu-ray player.

5. Press the switch button to select which TOSLINK or coax input you want selected. The LED status indicator will show you which input is selected.

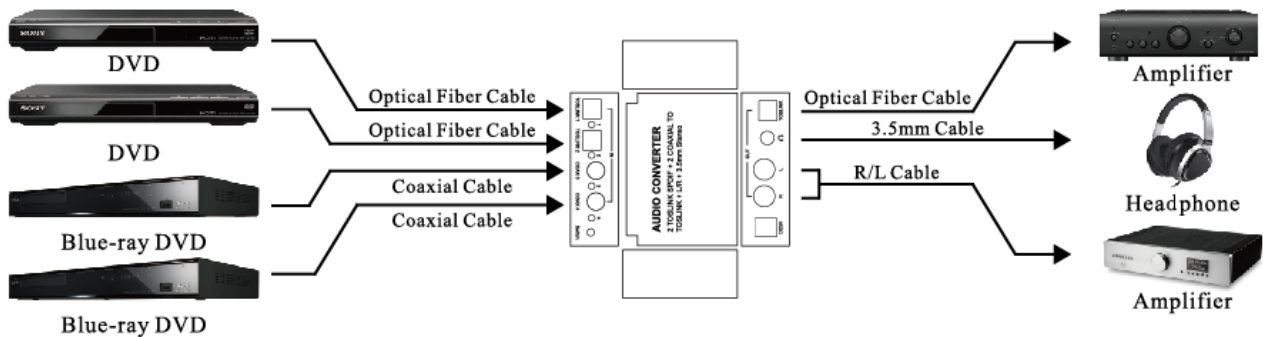
Note: The LED status indicator will flash if there is an error with the input.

6. If you have used the Coax input; you can connect a RCA cable (not included), 3.5mm cable (not included) or a TOSLINK optical cable (not included) to an output device such as an amplifier, sound bar or headphones.

Note: Only the TOSLINK output will work if you have connected a TOSLINK input. The Coax input will allow all 3 outputs to be used simultaneously.

7. Connect the opposite end to the RCA, 3.5mm or TOSLINK outputs of the audio switcher. Ensure your input and output devices have been turned on.

Connection Diagram:



Troubleshooting:

Problem:	Solution:
No Audio	Check your input and output devices have been turned on and connected properly
	Check to see if your source device is outputting audio correctly. Some devices like TV's will output audio to their internal speakers instead of the optical output. Double check your devices settings.
	Ensure if you have a TOSLINK input, only the TOSLINK output can be connected. If you have used the Coax input then all 3 outputs can be used simultaneously.
	Check to see if all your cables are working correctly and try to reconnect them.
LED Staus Indicator Is Flashing	Check to see if your input devices have been turned on and outputting audio correctly. Flashing means that there is an error in the audio.
	Reconnect all the cables and ensure their working correctly.
	Ensure if you're using the TOSLINK input; you can only use the TOSLINK output which acts as a pass-through. If you're using the coax input then you can use all 3 inputs simultaneously.

Features:

- . TOSLINK Optical Pass-Through
- . Over Voltage Protection
- . Error & Status LED Status Indicator
- . Headphone Amplifier Output

Specifications:

Inputs: 2 x TOSLINK Optical, 2 x Coax (RCA)

Outputs: 1 x TOSLINK Optical, 1 x RCA (L&R), 1 x 3.5mm Stereo Audio

Frequency: 20Hz-20KHz

DAC Bit Rate: 16-24 Bit

DAC Sampling Rate: 32-192KHz

Distortion: 01%

Audio: LPCM, PCM, DTS, Dolby-AC3, THX, HDCD

Headphone Output Power: 30mW

Power: 5VDC, 1A

Power Consumption: 100mA (Max)

Dimensions: 80(W) x 62(D) x 26(H)mm

Distributed by:
TechBrands by Electus Distribution Pty. Ltd.
320 Victoria Rd, Rydalmere
NSW 2116 Australia
Ph: 1300 738 555
Int'l: +61 2 8832 3200
Fax: 1300 738 500
www.techbrands.com